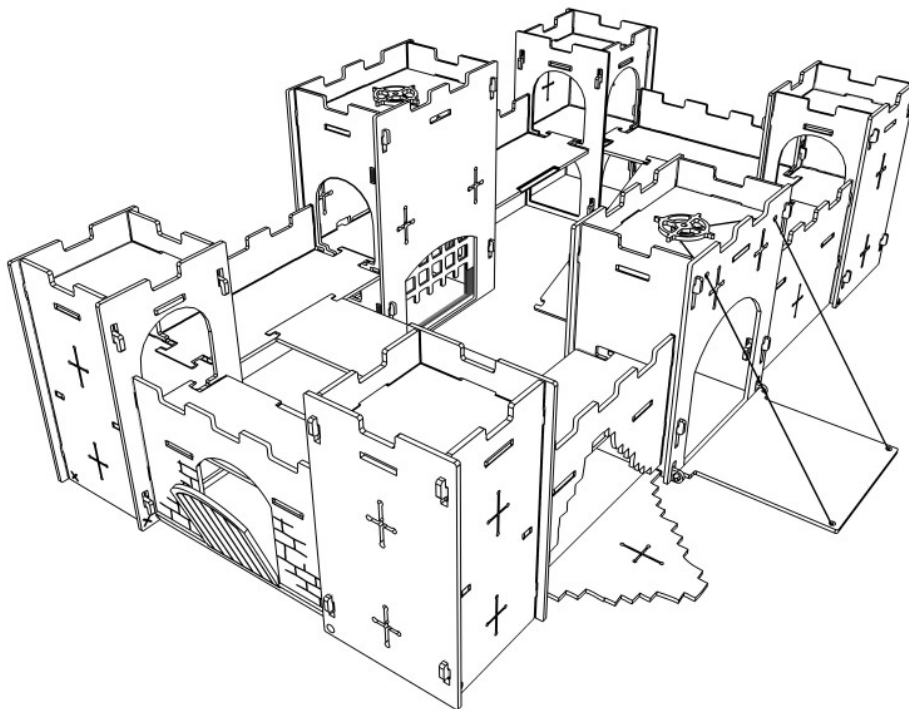




HOW TO ASSEMBLE, USE AND CARE FOR YOUR Toy Castle



This product is suitable for children of 5 years and over, however adult supervision is advised. Assembly requires adult assistance.

Green Frog Designs Ltd. The Empire Farm, Throop Road, Templecombe, Somerset. BA8 0HR

RECYCLED & RECYCLABLE

Products from green frog designs are made, wherever possible, from materials that are recycled. Where this is not practical, we always try to use materials that are suitable for recycling.

Our plastic is made from recycled waste plastic, predominantly plastic wrapping and carrier bags. By choosing our products, rather than those made from virgin plastic, you are helping to restrict the amount of new plastic being made. We recycle all our waste plastic and, of course, our products themselves can be recycled (if they ever wear out!!).

The recycled plastic we use is incredibly tough, but is as easily worked as wood. There is no need for preservative treatment with insecticides or fungicides, and structures won't splinter or crack, so they retain their structural integrity well. The plastic is resistant to UV light, so it retains its colour well, and is pretty much impervious to atmospheric pollutants and seasonal climatic actions such as freeze-thaw. It insulates quite well, and is also resistant to chewing. These properties mean that it retains its appearance, colour and functionality for much longer than timber.

The sheets of recycled plastic have a very uniform thickness, and so are ideally suited to our high-technology manufacturing process, which uses computer-controlled machines to cut shapes to accuracies better than 0.1mm.

We also use some metal components to fix parts together. The metals used are either stainless steel or other rust-resistant alloy, so they have a very long lifetime. They are also suitable for recycling.

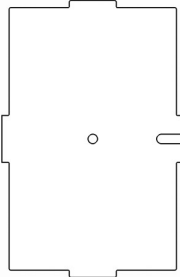

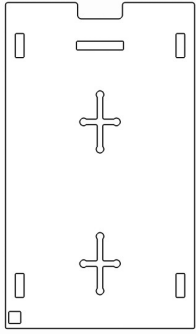
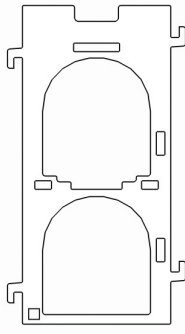
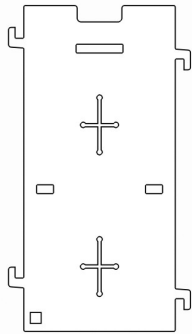
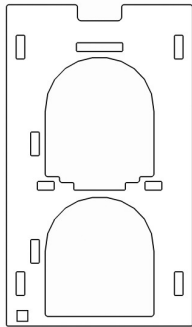

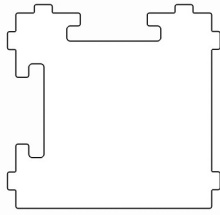
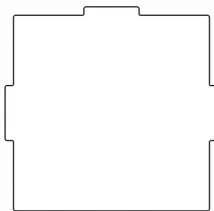
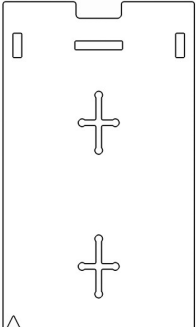
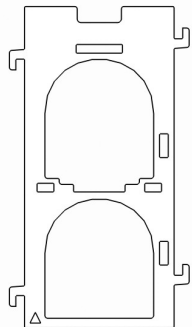
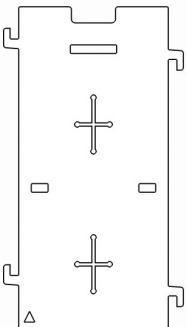
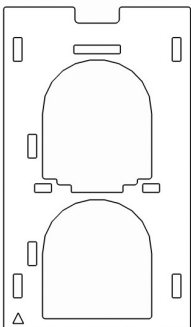
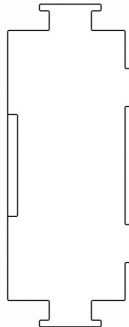
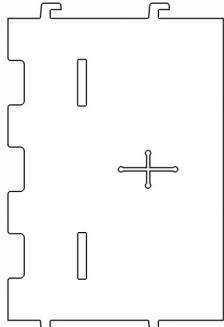

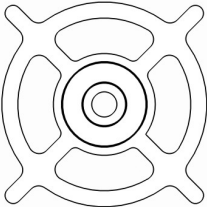
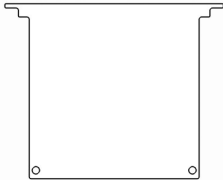
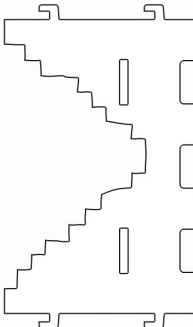
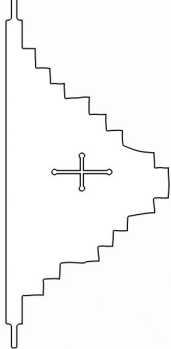
Our packaging and literature is all made from recycled materials wherever possible. For example, assembly instructions are printed on recycled paper, and we use recycled plastic bubble-wrap in our packaging. Even our business cards are made from 80% recycled card.

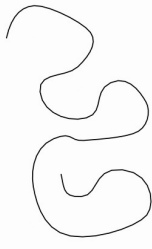
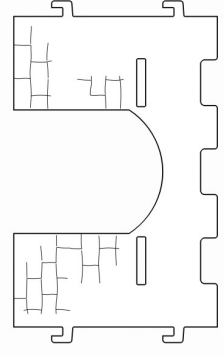
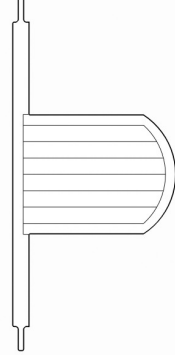
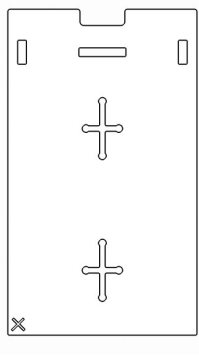
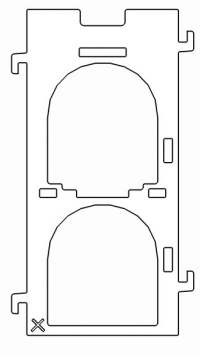
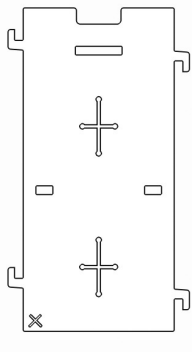
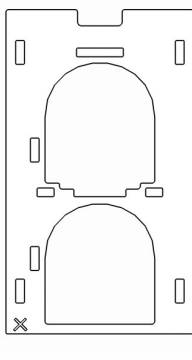
In other words: **Fun, functional products that don't cost the Earth!**



PARTS (Not to scale)

1x Barbican Rear Wall	1x Barbican Roof	1x Barbican Front Wall	1x Barbican Left Wall	1x Barbican Right Wall
1x Circle Wall D	1x Circle Wall B	1x Circle Wall C	1x Circle Wall A	1x Long Cord
1x Prison Tower Broken Wall	2x Medium Screw	2x Nylock Nut	1x Portcullis	1x Prison Tower Front Wall
1x Prison Tower Guide Wall	1x Prison Tower Left Wall	1x Prison Tower Floor	1x Prison Tower Rear Wall	1x Prison Tower Right Wall

				
1x Prison Tower Roof	2x Ramp	1x Square Wall D	1x Square Wall B	1x Square Wall C
				
1x Square Wall A	2x Standard Washer	1x Tower Floor	1x Tower Roof	1x Triangle Wall D
				
1x Triangle Wall B	1x Triangle Wall C	1x Triangle Wall A	6x Walkway	4x Main Wall
				
1x Cord Grip	1x Winch	1x Drawbridge	1x Broken Wall Top	1x Broken Wall Bottom

				
1x Short Cord	1x Secret Door Wall	1x Secret Door	1x Cross Wall D	1x Cross Wall B
				
1x Cross Wall C	1x Cross Wall A			

DIMENSIONS

Dimensions: 112(w) x 36(h) x 60(d) cm.

TOOLS REQUIRED

Sharp knife (e.g. Stanley Knife) or Sand Paper
 Large size cross head screwdriver
 10mm ring spanner (or socket wrench or adjustable spanner)

PRE-ASSEMBLY CHECKS

Prior to assembly, check that you have all the required parts. Please be aware that, being a recycled material, some minor surface blemishes or defects may have occurred during manufacture. These will not affect the functionality of your product.

NOTE: The manufacturing process we use sometimes leaves quite a lot of soft 'swarf' adhering to the cut edges. It is not a defect, and will wear off very quickly. It can easily be removed by rubbing gently with a cloth. The shallow V-cuts that are used to make the stonework patterns also often leave very fine strands at the edge of the cut. Rubbing with a cloth can remove some of these; the remainder will wear off naturally and are best left alone. We do **not** recommend trying to remove swarf with a knife.

Trim any excess hard plastic using sand paper or a sharp knife. **[NOTE: Be careful to cut away from yourself.]**

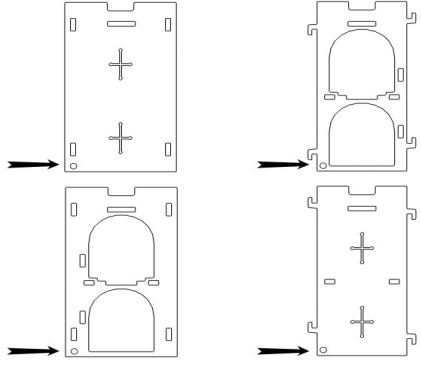
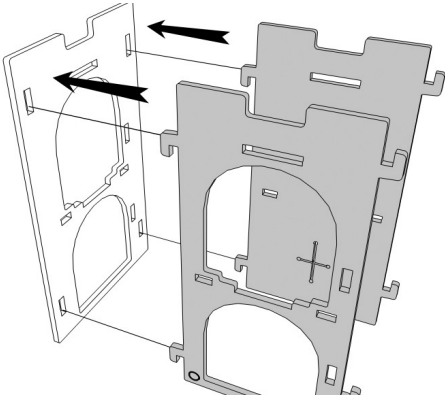
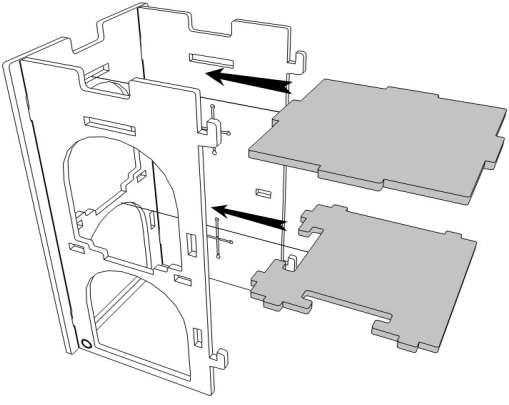
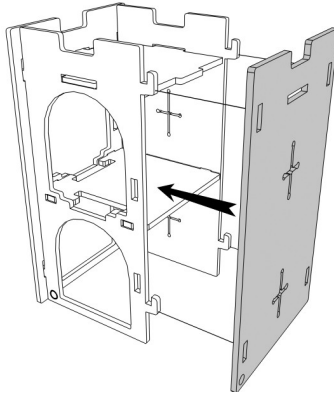
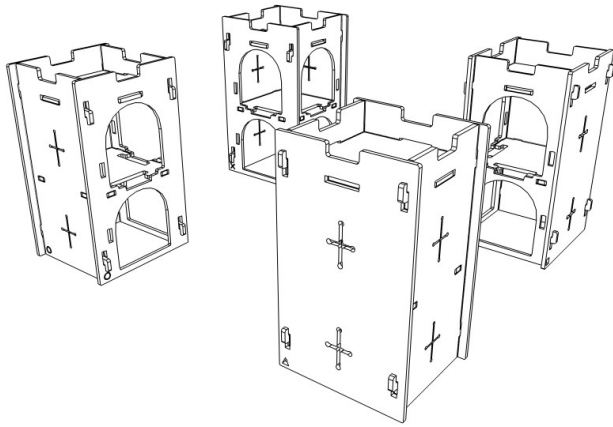
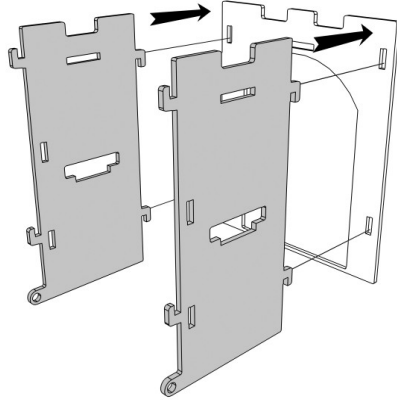
If any parts are missing, please email sales@greenfrogdesigns.co.uk

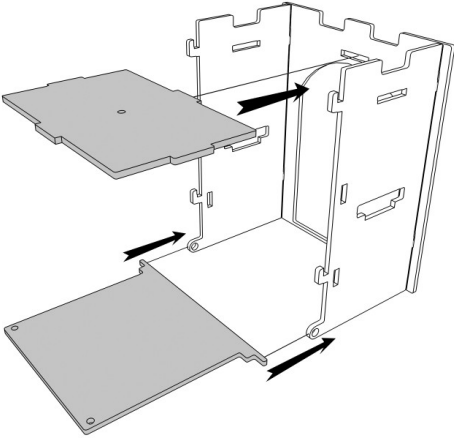
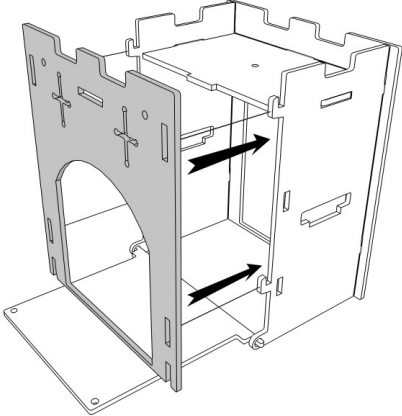
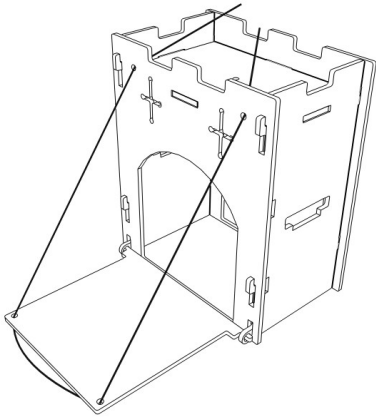
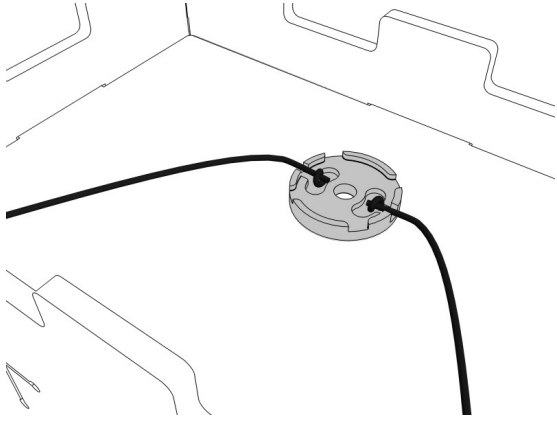
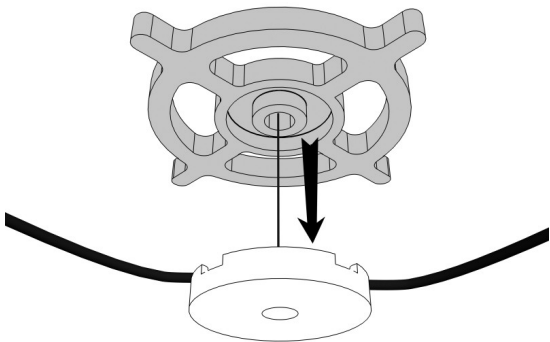
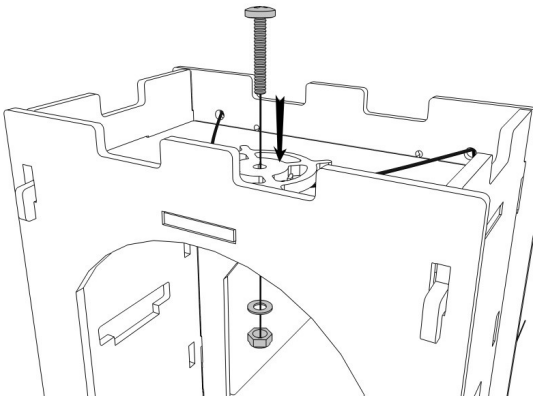
Please state the part number, quantity missing, your phone number and your full postal address.

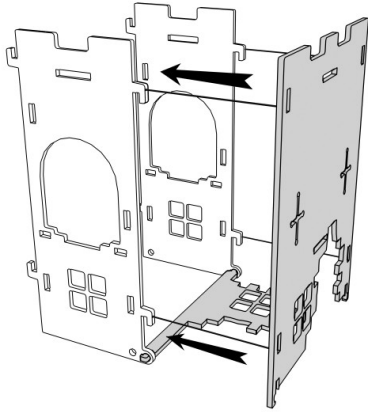
SPARE PARTS

Spare parts are available to order online via our website: www.greenfrogdesigns.co.uk

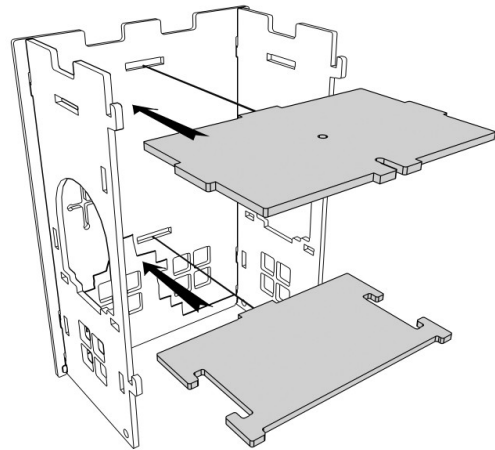
HOW TO ASSEMBLE

	
<p>1 Sort the corner tower pieces into 4 piles. They are marked with a Circle, Triangle, Cross and Square (Here we show the pieces for the Circle Tower).</p>	<p>2 Insert Circle Wall B and C into Circle Wall A and push down into position. The patterned sides should all face outwards.</p>
	
<p>3 Open the walls slightly, and insert one Tower Floor and one Tower Roof into the slots provided, pattern uppermost, closing the walls afterwards.</p>	<p>4 Attach Circle Wall D to Circle Walls B and C and push down into place. Some force is necessary to slide the wall into place. You may need to push the roof upwards from inside, to locate the tab properly into its slot. This completes the Circle Tower.</p>
	
<p>5 Repeat steps 2 to 4 to complete the Triangle, Cross and Square Corner Towers. Once built, the four Corner Towers are identical and interchangeable. The towers are expected to be built once only (though it is still possible to dismantle them – just reverse the build process).</p>	<p>6 Fit Barbican Left Wall and Barbican Right Wall into the Barbican Rear Wall.</p>

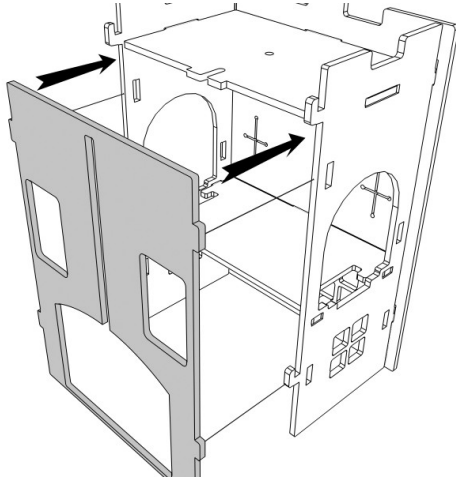
	
<p>7 Insert the Barbican Roof, patterned side up, into the upper tab holes, and fit the Drawbridge between the circular lugs at the bottom. The Drawbridge can be inserted either way up depending on whether you want the patterned side showing when it is open or closed.</p>	<p>8 Attach the Barbican Front Wall, sliding it down into place to hold the Drawbridge in position. It should slide over the tab in the Barbican Roof, until the tab clips into the slot. If necessary, reach inside and push the roof up gently until the tab clips into position.</p>
	
<p>9 Feed the Long Cord through the Barbican and Drawbridge as shown.</p>	<p>10 Place the Cord Grip on the Barbican Roof as shown with the holes aligned. Tie knots in the Long Cord so that, with the drawbridge fully down, it fits in the Cord Grip recesses with a small amount of slack, and cut it to length.</p>
	
<p>11 Fit the Winch, patterned side down, over the Cord Grip, trapping the knots inside. Secure the Winch assembly to the Barbican Roof using a Medium Screw, Standard Washer and Nylock Nut (see 12).</p>	<p>12 Do not over-tighten the nut. It needs to be tight enough to stop the drawbridge opening under gravity, but loose enough for children to operate it. Check the operation of the drawbridge, adjusting the nut as necessary. The Barbican is now finished.</p>



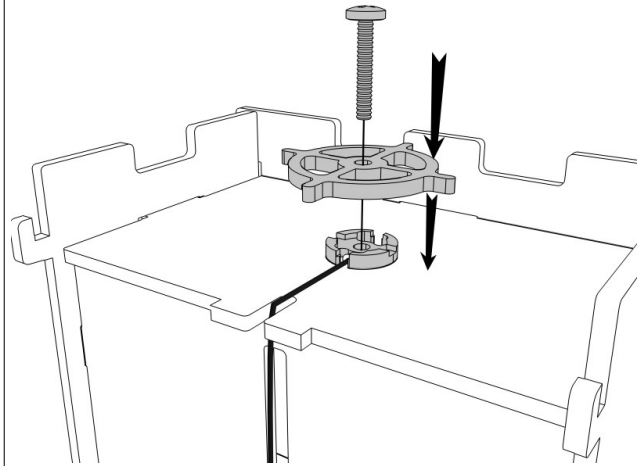
13 Fit the **Prison Tower Broken Wall** (Patterned side downwards) into the round holes at the base of the **Prison Tower Left and Right Walls** (Patterned sides outwards). Now attach the **Prison Tower Rear Wall**, so that it drops over the **Broken Wall**, holding it in place.



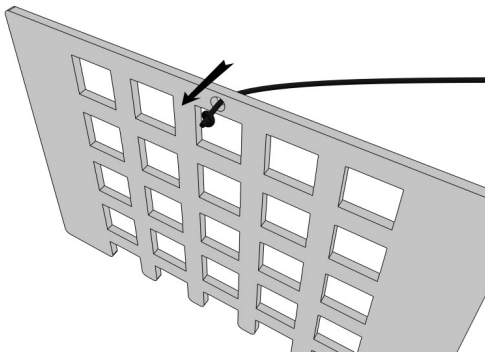
14 Insert the **Prison Tower Floor** and **Prison Tower Roof** into the slots provided, patterned sides facing upwards.



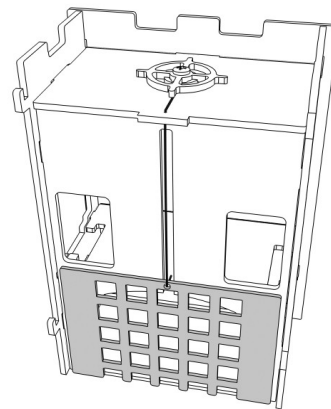
15 Next, fit the **Prison Tower Guide Wall** to this assembly [This may be easier with the tower lying down].



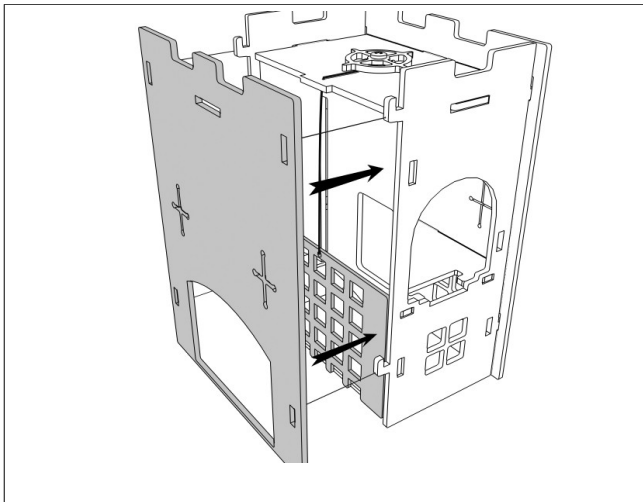
16 Tie a knot in the **Short Cord**. Fit the **Winch** (patterned side down) over the **Cord Grip**, trapping the knot. Then secure the **Winch** assembly to the **Prison Tower** using a **Medium Screw**, **Standard Washer** and **Nylock Nut**.



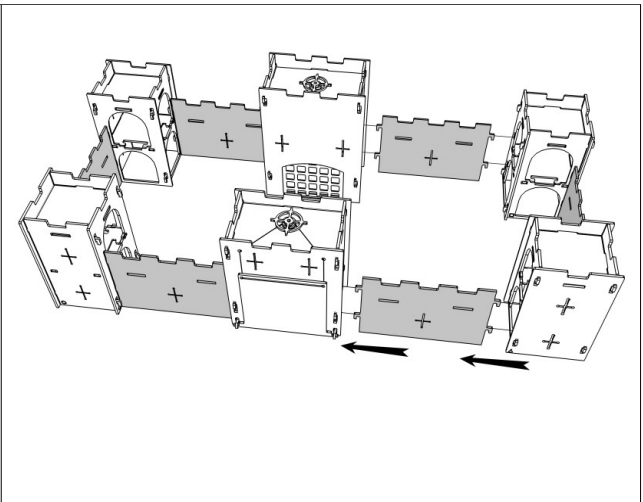
17 With the **Portcullis** fully down (see 18), feed the **Short Cord** through the hole and tie a knot. Cut off any excess cord.



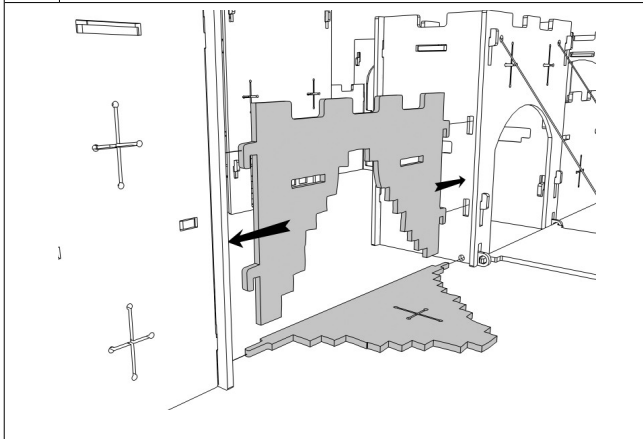
18 The **Portcullis** hangs in front of the Prison Tower assembly, with the knot on the tower side, so that it can slide in the slot in the **Prison Tower Guide Wall**.



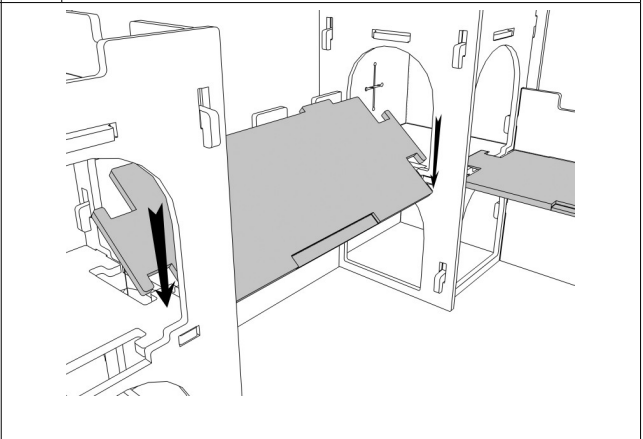
19 Attach the **Prison Tower Front** so that the roof tab fits in the slot. The front wall traps the **Portcullis** in position. Check that operating the **Winch** raises and lowers the **Portcullis**. Adjust the nut if necessary. The Prison Tower is now complete.



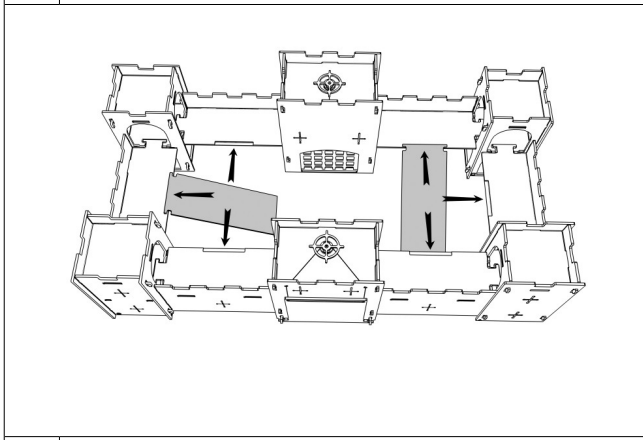
20 **Note:** The rest of the steps can be carried out at the play location. All the Towers can now be joined together using the six **Main Wall** sections, patterned side outwards.



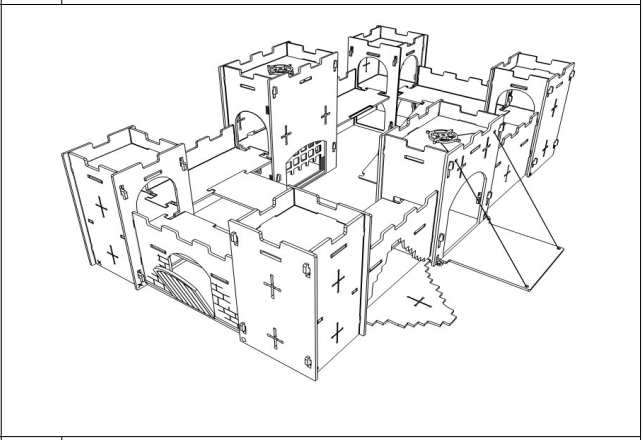
21 One Wall sections is 'broken' (Where the baddies get in!) and one has a secret door (Where the goodies get out?). These pieces can be used in any of the six Wall locations. To attach, lie the **Broken Wall Bottom** pattern side down and insert its lugs into the holes at the base of the Towers, at the same time as you attach the **Broken Wall Top**. Make the **Secret Door Wall** the same way.



22 Attach the six **Walkways** to the slots in the corner towers and **Main Walls**. You will need to tilt the **Walkways** and then press them down until the tabs clip into position in the slots in the wall.



23 The two **Ramps** can be positioned to reach from any **Walkway** to the floor. They also fit between the front and rear **Walkway** to make a raised **Walkway**. (Which you choose depends on how Robin Hood is outwitting the Sheriff of Nottingham this time!)



24 You're finished! Time for a cup of tea!

INSTRUCTIONS FOR USE

This toy model castle is designed to be used in conjunction with model knights such as those from **Papo** and **Schleich** (Not included, but available at many toy retailers, including www.amazon.co.uk).

It is suitable for both indoor and outdoor use by children aged 4 upwards. If it gets dirty, it can be easily cleaned using warm soapy water, or even a hosepipe.

The towers are expected to be built once only (though it is still possible to dismantle them), but the walls, walkways and ramps etc. can be easily disassembled for moving and storing between play.

Also available is an Extender Set, consisting of two more wall panels and ramparts, plus a mid-Tower and a tall Watchtower. This set almost doubles the internal area of the Castle, and provides two more places for the ramps to be attached. Available at www.greenfrogdesigns.co.uk