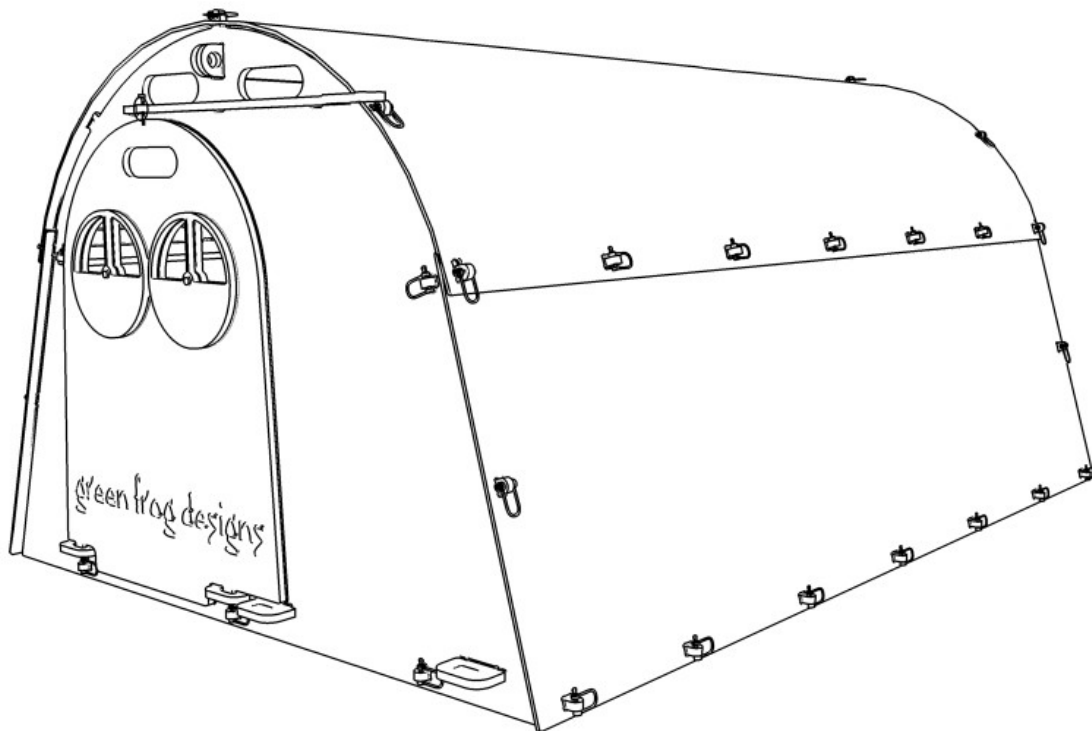




HOW TO ASSEMBLE, USE AND CARE FOR YOUR Pig Ark - (Medium)



RECYCLED & RECYCLABLE

Products from green frog designs are made, wherever possible, from materials that are recycled. Where this is not practical, we always try to use materials that are suitable for recycling.

Our plastic is made from recycled waste plastic, predominantly plastic wrapping and carrier bags. By choosing our products, rather than those made from virgin plastic, you are helping to restrict the amount of new plastic being made. We recycle all our waste plastic and, of course, our products themselves can be recycled (if they ever wear out!!).



The recycled plastic we use is incredibly tough, but is as easily worked as wood. There is no need for preservative treatment with insecticides or fungicides, and structures won't splinter or crack, so they retain their structural integrity well. The plastic is resistant to UV light, so it retains its colour well, and is pretty much impervious to atmospheric pollutants and seasonal climatic actions such as freeze-thaw. It insulates quite well, and is also resistant to chewing. These properties mean that it retains its appearance, colour and functionality for much longer than timber.

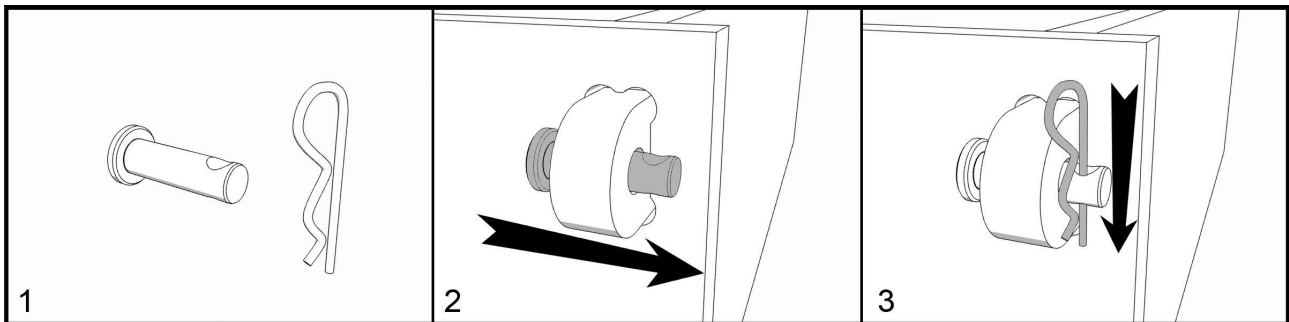
The sheets of recycled plastic have a very uniform thickness, and so are ideally suited to our high-technology manufacturing process, which uses computer-controlled machines to cut shapes to accuracies better than 0.1mm.

We also use some metal components to fix parts together. The metals used are either stainless steel or other rust-resistant alloy, so they have a very long lifetime. They are also suitable for recycling.

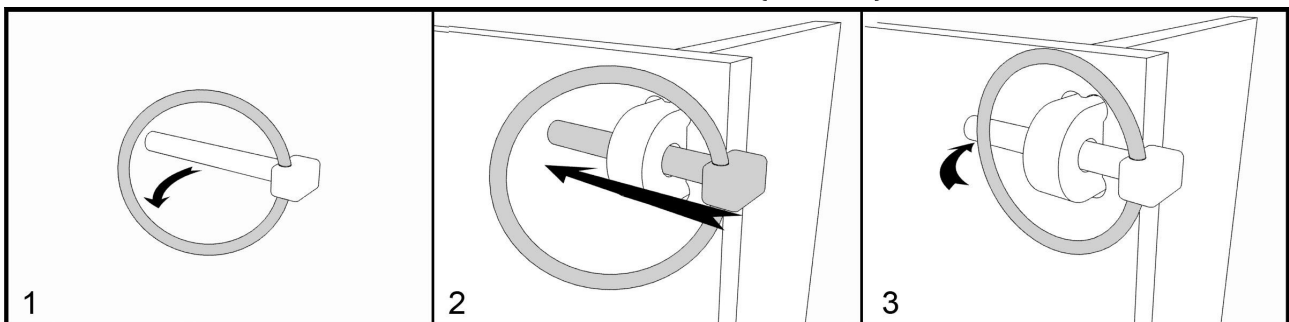
Our packaging and literature is all made from recycled materials wherever possible. For example, assembly instructions are printed on recycled paper, and we use recycled plastic bubble-wrap in our packaging. Even our business cards are made from 80% recycled card.

In other words: **Fun, functional products that don't cost the Earth!**

HOW TO FIT A CLEVIS PIN (IF USED)



HOW TO FIT A LINCH PIN (IF USED)



You only need to move the ring slightly away from the bar. They are designed to spring closed, so watch your fingers!

PARTS (Not to scale)

1x	Base	2x	Closed Door Support	2x	Open Door Support	2x	40mm Screw	2x	Standard Washer
2x	Side Support	4x	Nylock Nut	1x	Door	1x	Front Panel	1x	Lock Bracket
1x	Rear Panel	1x	Roof	2x	Side Panel	2x	Vent Cover	56x 1x	Linch Pin (Linch Pin Version) Linch Pin (D-Shackle Version)
2x	Roof Support	2x	Large Washer	55x	D-Shackle (D-Shackle Version only)	3x	Cable Ties		

DIMENSIONS

Dimensions External 120w x 180d x 86h cm

Dimensions Internal 114w x 172d x 80h cm

Door opening 43w x 66h cm

TOOLS REQUIRED

Sharp knife (e.g. Stanley Knife) or Sand Paper

PRE-ASSEMBLY CHECKS

Prior to assembly, check that you have all the required parts. Please be aware that, being a recycled material, some minor surface blemishes or defects may have occurred during manufacture. These will not affect the functionality of your product.

Trim any excess plastic using sand paper or a sharp knife. **(NOTE: Be careful to cut away from yourself.)**

If any parts are missing, please email sales@greenfrogdesigns.co.uk

Please state the part number, quantity missing, your phone number and your full postal address.

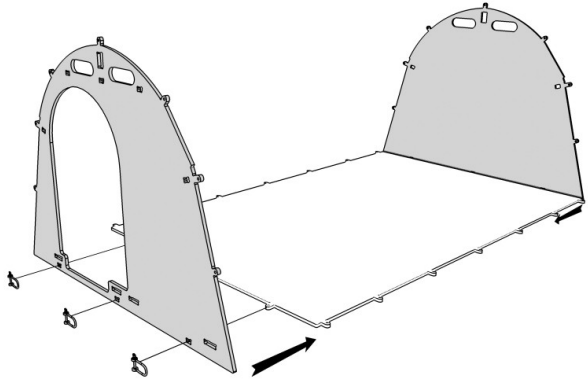
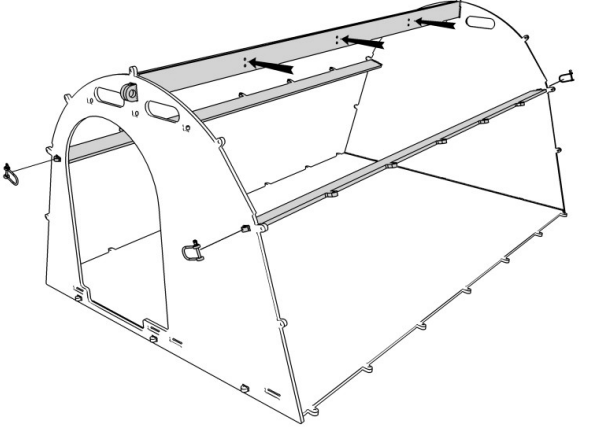
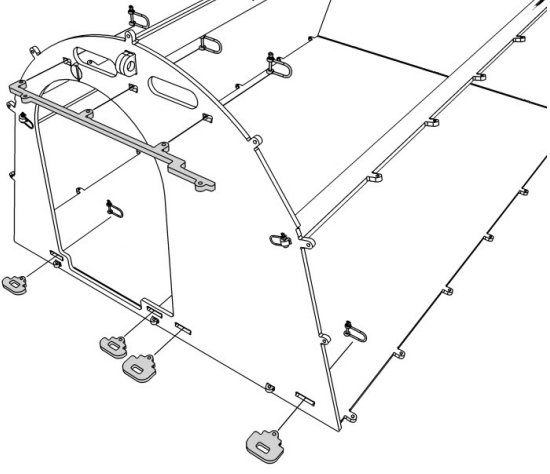
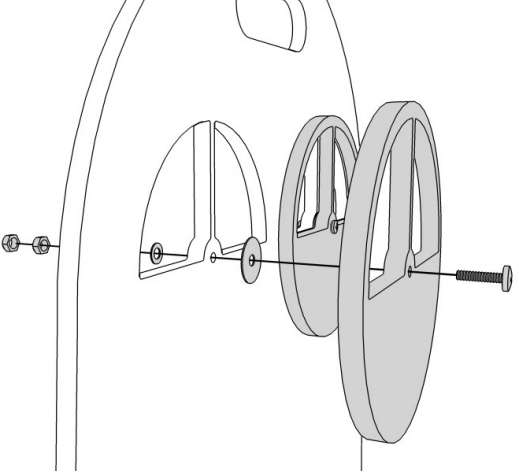
LINCH PINS vs D-SHACKLES

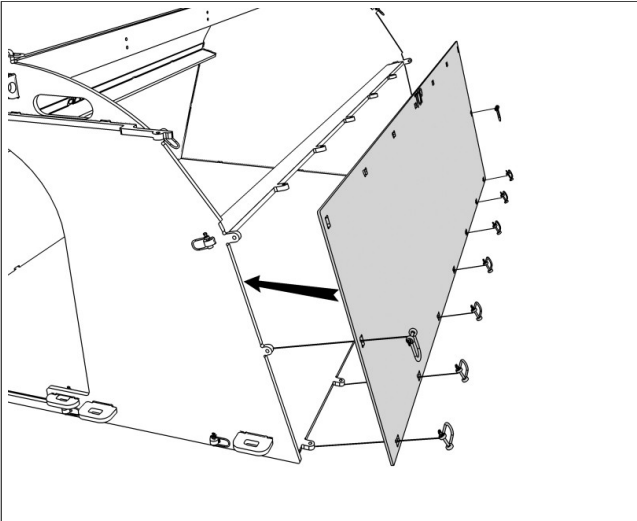
The ark is supplied with either Linch pins or D-shackles. Linch pins are quick and easy to fit, but are not 'pig-proof'. D-shackles can be screwed tight. Both fixings are readily available from us or your local agricultural suppliers. These instructions describe assembly with Linch Pins. If you have purchased the Linch Pin Version, use Linch Pins wherever D-Shackles are mentioned.

SPARE PARTS

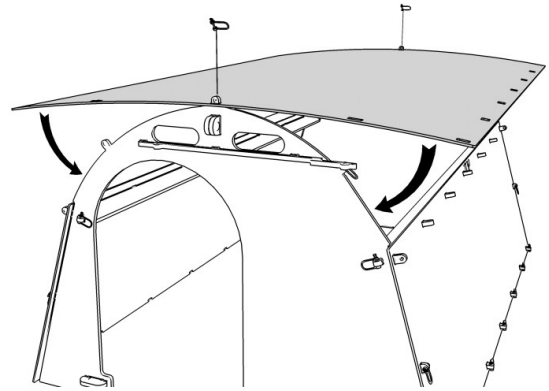
Spare parts are available to order online via our website: www.greenfrogdesigns.co.uk

HOW TO ASSEMBLE

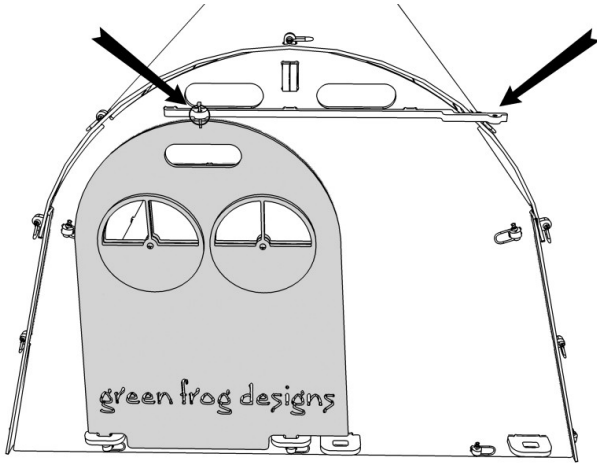
	
<p>1 Fit the Front and Rear Panels to the Base using 6 D-Shackles. The Panels should be attached pattern-side outermost. The Base can be either way up, smooth for easy cleaning, or patterned for more grip.</p>	<p>2 Attach the Side Supports using D-Shackles. The lugs should face outwards. Then fit the 2 Roof Supports side by side. Secure them to each other using Cable Ties through the holes indicated above.</p>
	
<p>3 Attach the Door Supports and Lock Bracket to the Front Panel using D-Shackles. Ensure the larger Door Supports are to the right.</p>	<p>4 Attach the Vent Covers to the outside of the Door as shown above. Tighten the first Nylock Nut until the Vent Cover turns when twisted but does not spin freely. Then tighten the second Nylock Nut hard onto the first to act as a lock-nut.</p>



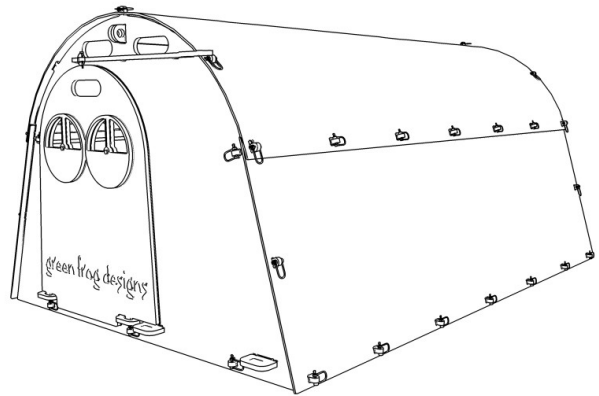
5 Attach a **Side Panel** using **D-Shackles**. Make sure the word 'Top' is at the top! Do not secure along the top row yet. Repeat with the second **Side Panel** for the other side.



6 Place the **Roof** over the two uppermost lugs and secure with **D-Shackles** before bending it into place. Secure the sides then the bottom edges with **D-Shackles**.



7 The optional **Door** can be secured in an open or closed (as shown) position using a **Linch Pin**.



8 Finished! Time for a cup of tea!

INSTRUCTIONS FOR USE

The ark should be sited in a sheltered area with the front facing away from prevailing winds. Vents should be adjusted to provide adequate ventilation when the door (if used) is closed.

The central roof panel can be removed for inspection, for topping up bedding, and as access for cleaning. The door has no lip, so used bedding can be swept straight out of the door.

The ark can be moved by two people using the handholds cut into the end panels, though it weighs 47kg, so care should be taken to use correct posture when lifting. Manual labour is appropriate for moving the ark a few yards or adjusting its position, but the ark should be moved on a trailer or be carried by a loader tractor for longer distances. If a loader tractor is used, a rope or sling can be threaded through the ends of the central roof bar.

We recommend thorough cleaning at least every 3 months – a pressure washer is ideal for removal of caked on dirt, but an ordinary hosepipe and scrubbing brush will do. The plastic is quite easy to clean.