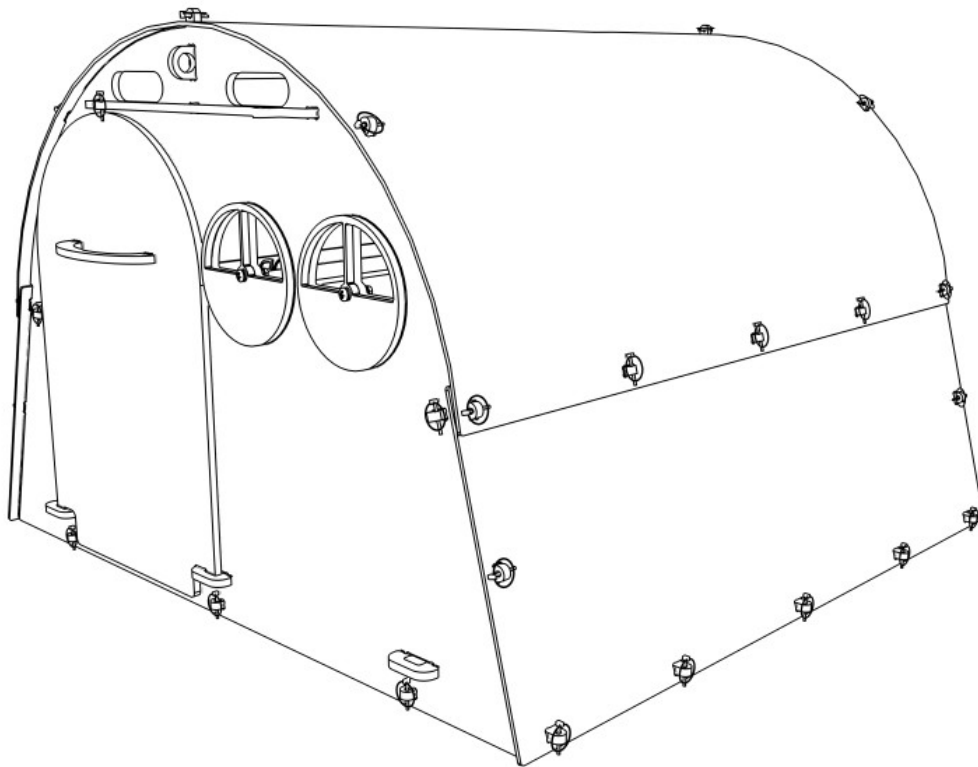




## HOW TO ASSEMBLE, USE AND CARE FOR YOUR Livestock Ark - Small



**RECYCLED & RECYCLABLE**

Products from green frog designs are made, wherever possible, from materials that are recycled. Where this is not practical, we always try to use materials that are suitable for recycling.

Our plastic is made from recycled waste plastic, predominantly plastic wrapping and carrier bags. By choosing our products, rather than those made from virgin plastic, you are helping to restrict the amount of new plastic being made. We recycle all our waste plastic and, of course, our products themselves can be recycled (if they ever wear out!!).



The recycled plastic we use is incredibly tough, but is as easily worked as wood. There is no need for preservative treatment with insecticides or fungicides, and structures won't splinter or crack, so they retain their structural integrity well. The plastic is resistant to UV light, so it retains its colour well, and is pretty much impervious to atmospheric pollutants and seasonal climatic actions such as freeze-thaw. It insulates quite well, and is also resistant to chewing. These properties mean that it retains its appearance, colour and functionality for much longer than timber.

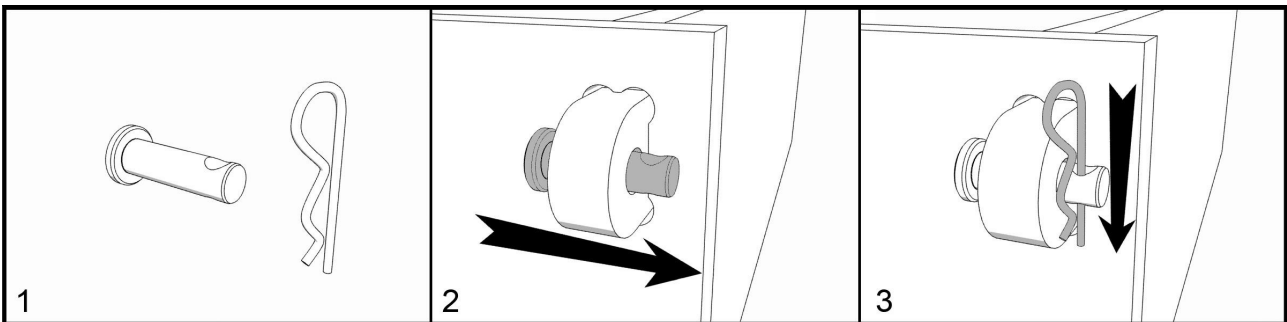
The sheets of recycled plastic have a very uniform thickness, and so are ideally suited to our high-technology manufacturing process, which uses computer-controlled machines to cut shapes to accuracies better than 0.1mm.

We also use some metal components to fix parts together. The metals used are either stainless steel or other rust-resistant alloy, so they have a very long lifetime. They are also suitable for recycling.

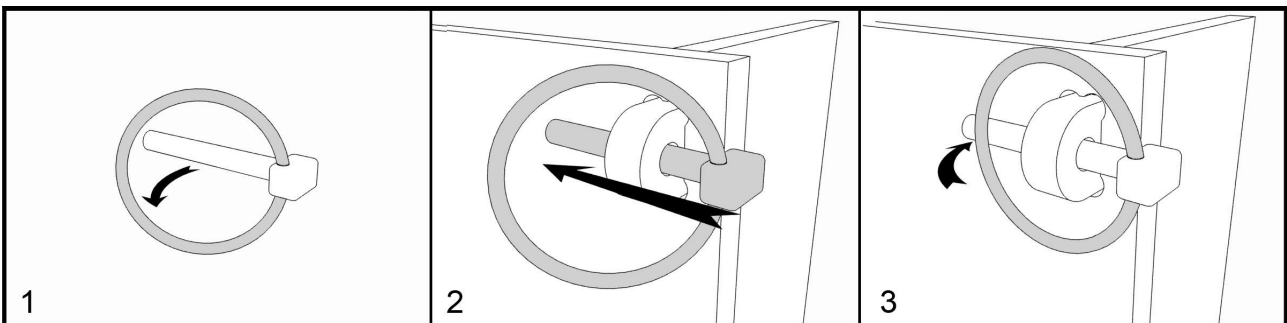
Our packaging and literature is all made from recycled materials wherever possible. For example, assembly instructions are printed on recycled paper, and we use recycled plastic bubble-wrap in our packaging. Even our business cards are made from 80% recycled card.

In other words: **Fun, functional products that don't cost the Earth!**

### HOW TO FIT A CLEVIS PIN (IF USED)



### HOW TO FIT A LINCH PIN (IF USED)



You only need to move the ring slightly away from the bar. They are designed to spring closed, so watch your fingers!

**PARTS (Not to scale)**

<b>1x</b>	Base	<b>1x</b>	Door Handle	<b>3x</b>	Door Support	<b>2x</b>	40mm Screw	<b>4x</b>	Standard Washer
<b>2x</b>	Side Support	<b>4x</b>	Nylock Nut	<b>1x</b>	Door	<b>1x</b>	Front Panel	<b>1x</b>	Lock Bracket
<b>1x</b>	Rear Panel	<b>1x</b>	Roof	<b>2x</b>	Side Panel	<b>2x</b>	Vent Cover	<b>49x</b>	Linch Pin
<b>1x</b>	Roof Support	<b>2x</b>	Large Washer						

## DIMENSIONS

Dimensions External 126w x 119d x 86h cm  
Dimensions Internal 121w x 114d x 83h cm  
Door opening 39w x 68h cm

## TOOLS REQUIRED

Sharp knife (e.g. Stanley Knife) or Sand Paper  
Large size cross head screwdriver  
10mm ring spanner (or socket wrench or adjustable spanner)

## PRE-ASSEMBLY CHECKS

Prior to assembly, check that you have all the required parts. Please be aware that, being a recycled material, some minor surface blemishes or defects may have occurred during manufacture. These will not affect the functionality of your product.

Trim any excess plastic using sand paper or a sharp knife. **[NOTE: Be careful to cut away from yourself.]**

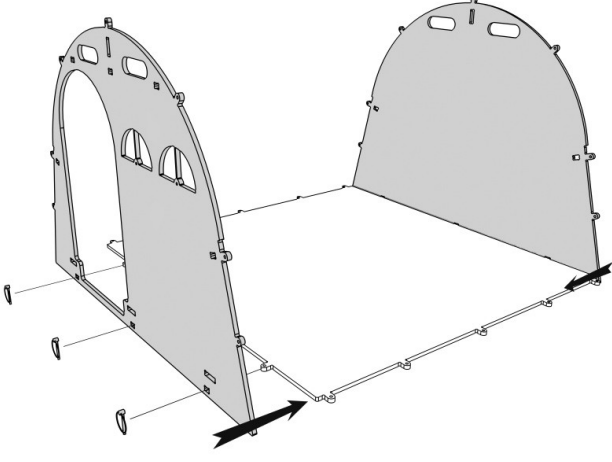
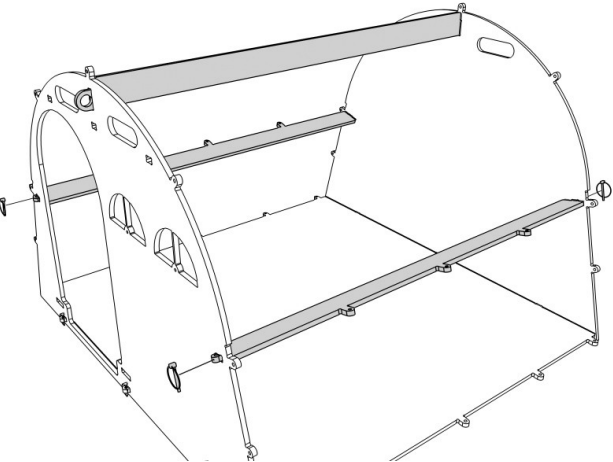
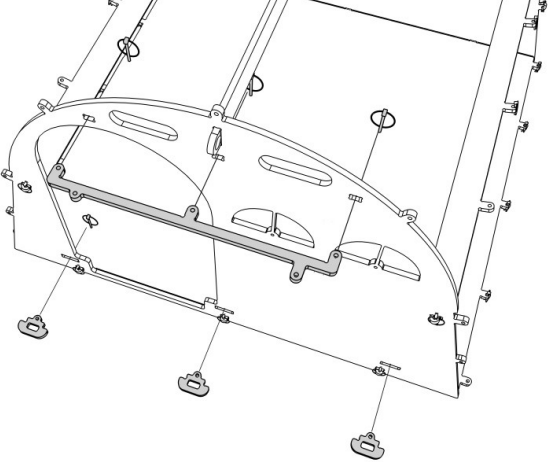
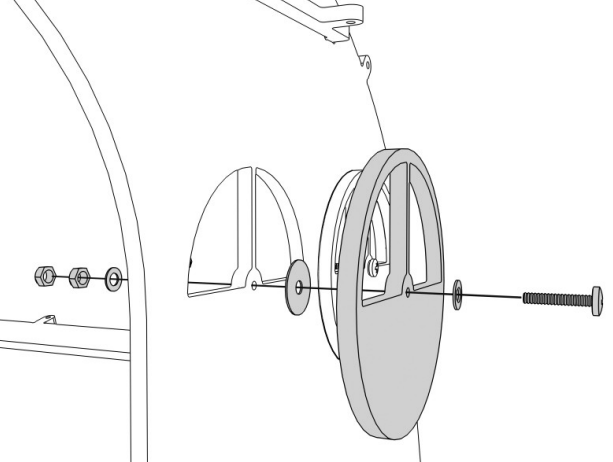
If any parts are missing, please email [sales@greenfrogdesigns.co.uk](mailto:sales@greenfrogdesigns.co.uk)

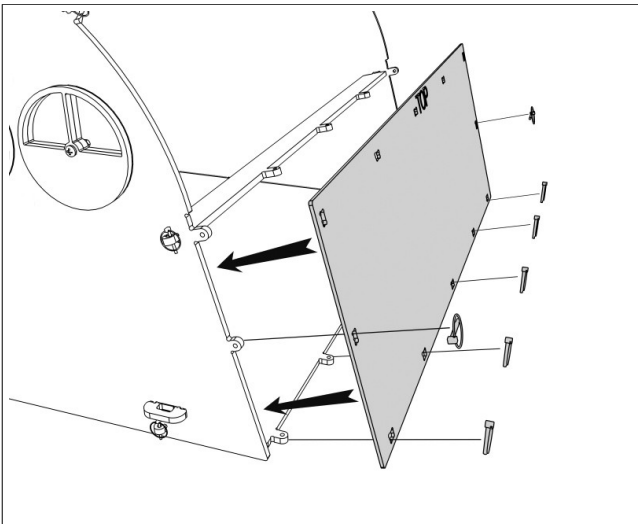
Please state the part number, quantity missing, your phone number and your full postal address.

## SPARE PARTS

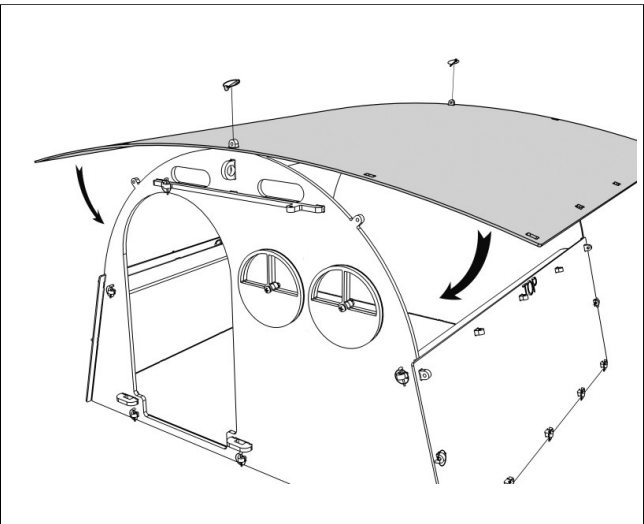
Spare parts are available to order online via our website: [www.greenfrogdesigns.co.uk](http://www.greenfrogdesigns.co.uk)

## HOW TO ASSEMBLE

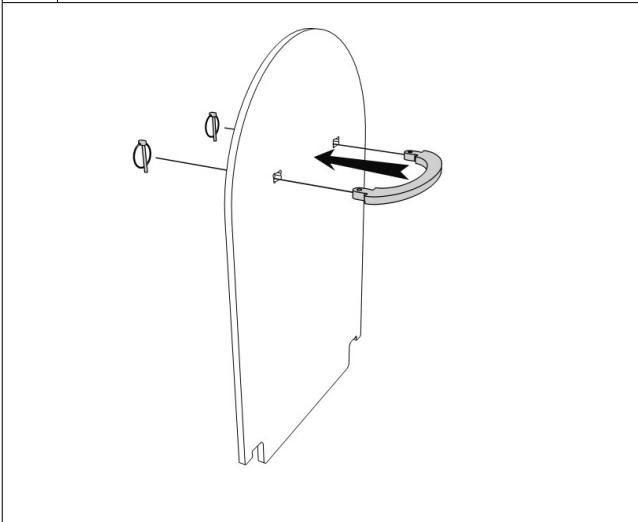
	
<p><b>1</b> Fit the <b>Front</b> and <b>Rear Panels</b> to the <b>Base</b> using 6 <b>Linch Pins</b>. The <b>Panels</b> should be attached pattern-side outermost. The <b>Base</b> can be either way up, smooth for easy cleaning, or patterned for more grip.</p>	<p><b>2</b> Attach the <b>Side Supports</b> using <b>Linch Pins</b>. The lugs should face outwards. Then attach the <b>Roof Support</b>.</p>
	
<p><b>3</b> Attach the <b>Door Supports</b> and <b>Lock Bracket</b> to the <b>Front Panel</b>. Ensure the larger lug on the <b>Lock Bracket</b> is to the right.</p>	<p><b>4</b> Attach the <b>Vent Covers</b> to the outside of the <b>Front Panel</b> as shown above. Tighten the first <b>Nylock Nut</b> until the <b>Vent Cover</b> turns when twisted but does not spin freely. Then tighten the second <b>Nylock Nut</b> hard onto the first to act as a lock-nut.</p>



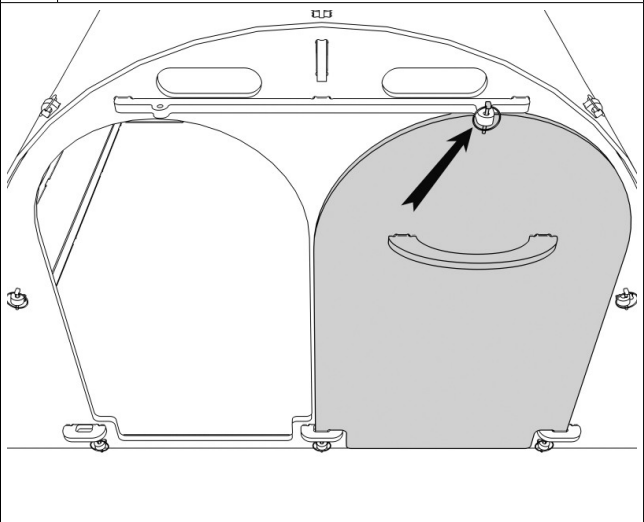
**5** Attach a **Side Panel** using **Linch Pins**. Make sure the word 'Top' is at the top! Do not secure along the top row yet. Repeat with the second **Side Panel** for the other side.



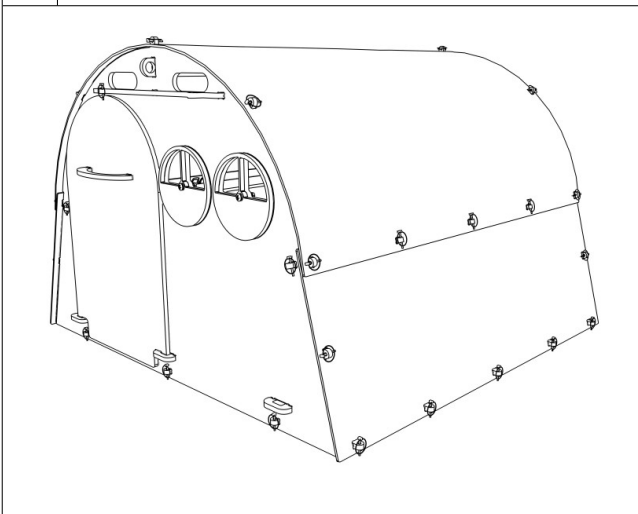
**6** Place the **Roof** over the two uppermost lugs and secure with **Linch Pins** before bending it into place. Secure the sides then the bottom edges with **Linch Pins**.



**7** The door is optional. If used, attach the **Door Handle** to the patterned side of the **Door** with **Linch Pins**.



**8** The **Door** can be secured in an open (as shown) or closed position using the final **Linch Pin**.



**9** Finished! No more Linch Pins!

## INSTRUCTIONS FOR USE

The ark should be sited in a sheltered area with the front facing away from prevailing winds. Vents should be adjusted to provide adequate ventilation when the door (if used) is closed.

The central roof panel can be removed for inspection, for topping up bedding, and as access for cleaning. The door has no lip, so used bedding can be swept straight out of the door.

The ark can be moved by two people using the handholds cut into the end panels, though it weighs approx. 40kg, so care should be taken to use correct posture when lifting. Manual labour is appropriate for moving the ark a few yards or adjusting its position, but the ark should be moved on a trailer or be carried by a loader tractor for longer distances. If a loader tractor is used, a rope or sling can be threaded through the ends of the central roof bar.

We recommend thorough cleaning at least every 3 months – a pressure washer is ideal for removal of caked on dirt, but an ordinary hosepipe and scrubbing brush will do. The plastic is quite easy to clean.