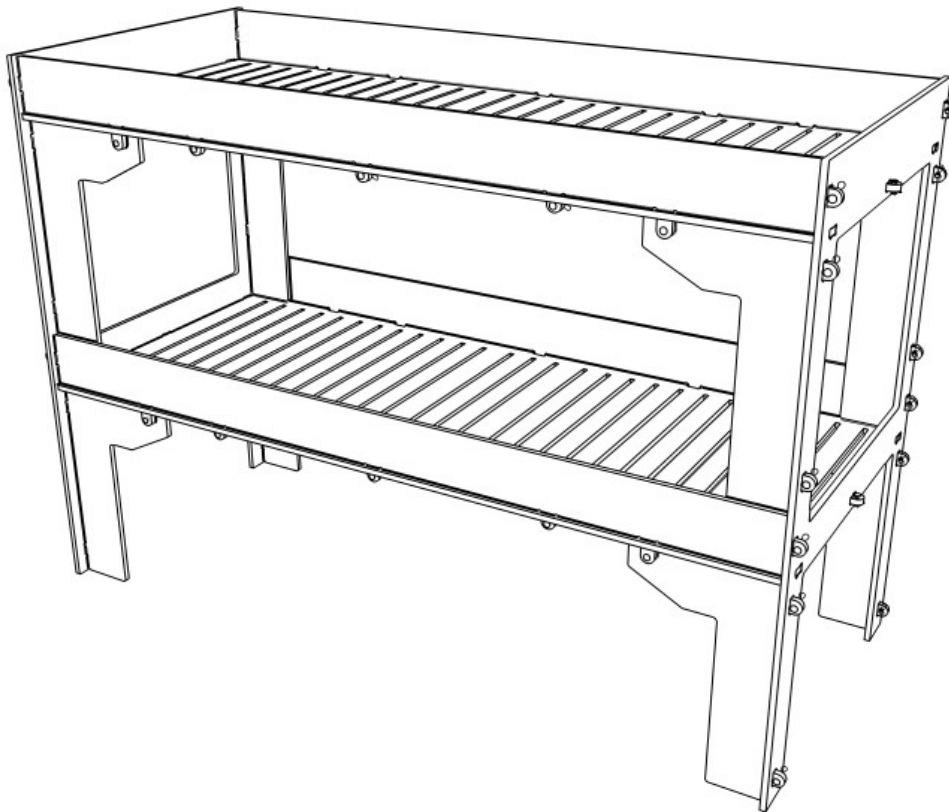




## HOW TO ASSEMBLE, USE AND CARE FOR YOUR Green House Staging



## RECYCLED & RECYCLABLE

Products from green frog designs are made, wherever possible, from materials that are recycled. Where this is not practical, we always try to use materials that are suitable for recycling.

Our plastic is made from recycled waste plastic, predominantly plastic wrapping and carrier bags. By choosing our products, rather than those made from virgin plastic, you are helping to restrict the amount of new plastic being made. We recycle all our waste plastic and, of course, our products themselves can be recycled (if they ever wear out!!).

The recycled plastic we use is incredibly tough, but is as easily worked as wood. There is no need for preservative treatment with insecticides or fungicides, and structures won't splinter or crack, so they retain their structural integrity well. The plastic is resistant to UV light, so it retains its colour well, and is pretty much impervious to atmospheric pollutants and seasonal climatic actions such as freeze-thaw. It insulates quite well, and is also resistant to chewing. These properties mean that it retains its appearance, colour and functionality for much longer than timber.

The sheets of recycled plastic have a very uniform thickness, and so are ideally suited to our high-technology manufacturing process, which uses computer-controlled machines to cut shapes to accuracies better than 0.1mm.

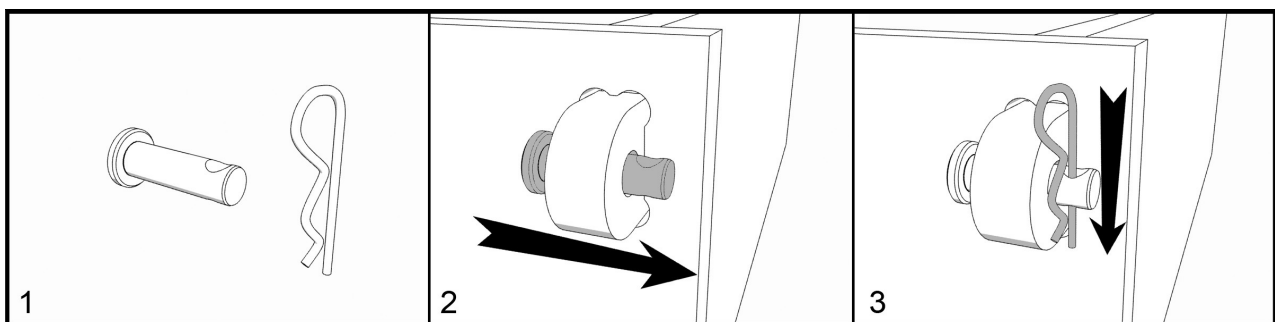
We also use some metal components to fix parts together. The metals used are either stainless steel or other rust-resistant alloy, so they have a very long lifetime. They are also suitable for recycling.

Our packaging and literature is all made from recycled materials wherever possible. For example, assembly instructions are printed on recycled paper, and we use recycled plastic bubble-wrap in our packaging. Even our business cards are made from 80% recycled card.

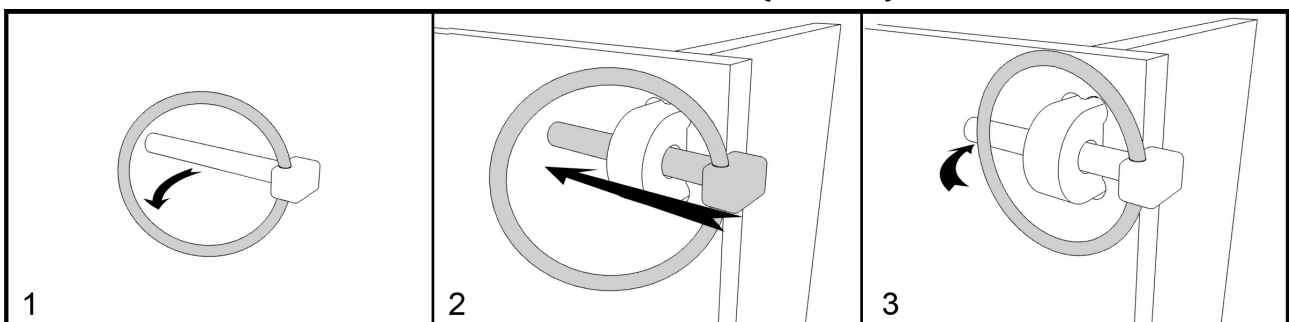
In other words: **Fun, functional products that don't cost the Earth!**



### HOW TO FIT A CLEVIS PIN (IF USED)

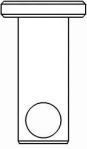

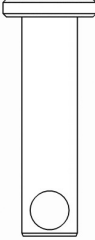
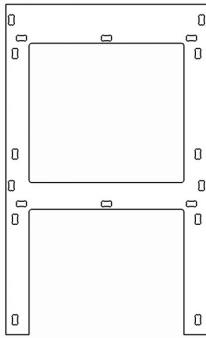
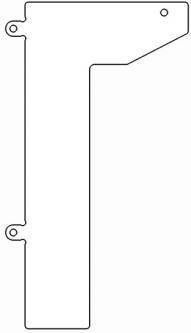
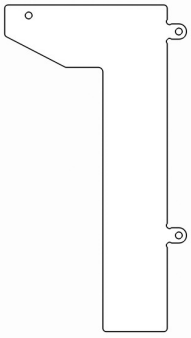
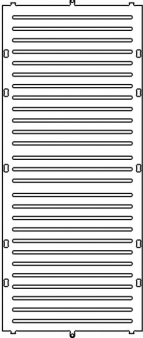



### HOW TO FIT A LINCH PIN (IF USED)



Linch Pins are designed to spring closed, so watch your fingers!

## PARTS

				
<b>40x</b> Medium Clevis Pin	<b>48x</b> R-Clip	<b>8x</b> Long Clevis Pin	<b>2x</b> End Legs	<b>4x</b> Left Support
				
<b>4x</b> Right Support	<b>2x</b> Shelf	<b>4x</b> Side Panel		

## DIMENSIONS

Dimensions: 120 (w) x 82 (h) x 50 (d) cm

## TOOLS REQUIRED

Sharp knife (e.g. Stanley Knife) or Sand Paper  
Medium size cross head screwdriver

## PRE-ASSEMBLY CHECKS

Prior to assembly, check that you have all the required parts. Please be aware that, being a recycled material, some minor surface blemishes or defects may have occurred during manufacture. These will not affect the functionality of your product.

Trim any excess plastic using sand paper or a sharp knife. **[NOTE: Be careful to cut away from yourself.]**

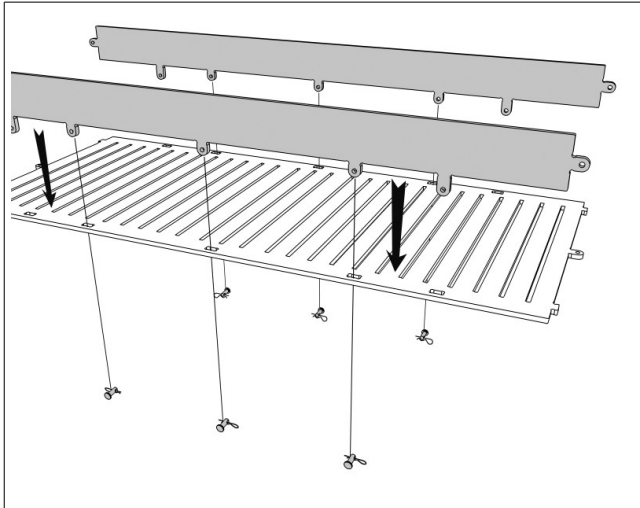
If any parts are missing, please email [sales@greenfrogdesigns.co.uk](mailto:sales@greenfrogdesigns.co.uk)

Please state the part number, quantity missing, your phone number and your full postal address.

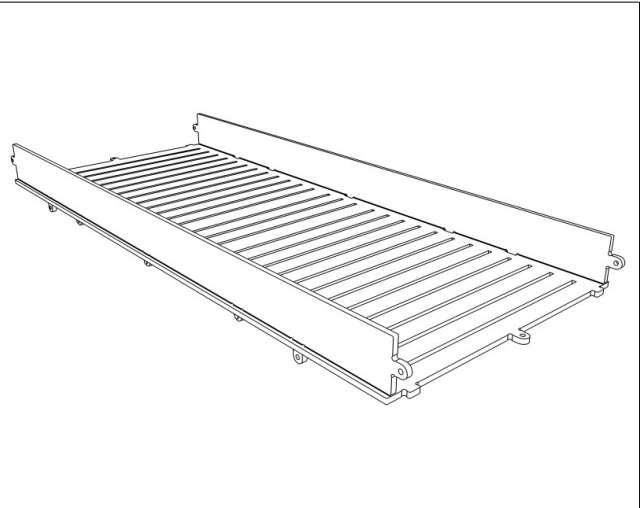
## SPARE PARTS

Spare parts are available to order online via our website: [www.greenfrogdesigns.co.uk](http://www.greenfrogdesigns.co.uk)

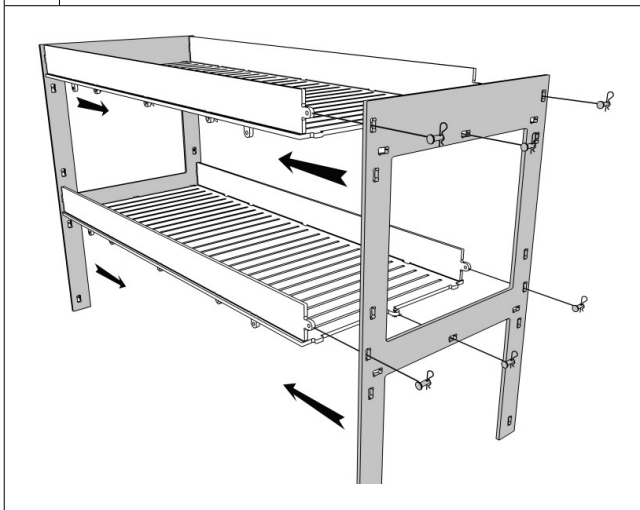
## HOW TO ASSEMBLE



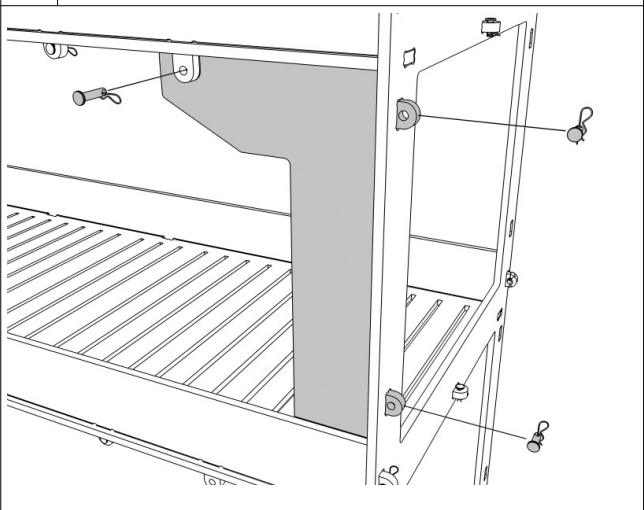
- 1** Insert two **Side Panels** into the top of a **Shelf**, and secure with **Medium Clevis Pins** and **R-Clips**. The patterned side should be uppermost on the shelf, and facing outwards on the **Side Panels**.



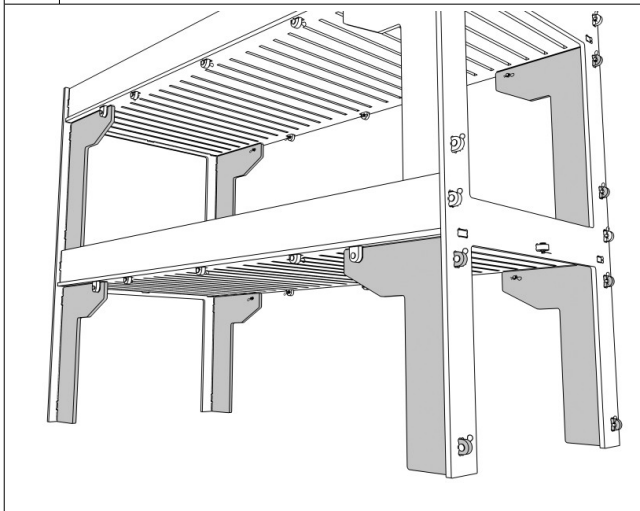
- 2** Repeat for the other shelf.



- 3** Fix the **End Legs** to the **Shelf** ends, pattern outermost, using **Medium Clevis Pins** and **R-Clips**. You will probably find it easier to do this with the staging lying on its side.



- 4** Attach a **Right Support** to the top **Shelf** (using a **Long Clevis Pin** and **R-Clip**) and to one **End Leg** (using **Medium Clevis Pins** and **R-Clips**).



- 5** Repeat for the remaining **Right** and **Left Supports**.



- 6** Finished! That was easy, wasn't it!

## INSTRUCTIONS FOR USE

The staging is ideal for use in a conservatory, greenhouse or polytunnel. It should require no maintenance, and can be easily cleaned. Being solid plastic, there are few places for insects or disease to thrive.

A pressure washer is ideal for removal of any caked on dirt, but an ordinary hosepipe and scrubbing brush will do. A little soapy water will help remove dirt, and you can use a mild bleach or similar household cleaner to disinfect the staging, should this be required. We recommend that, before use of any chemicals, they are tested on a small area first, to ensure that they do not affect the plastic (though this is highly unlikely to occur).