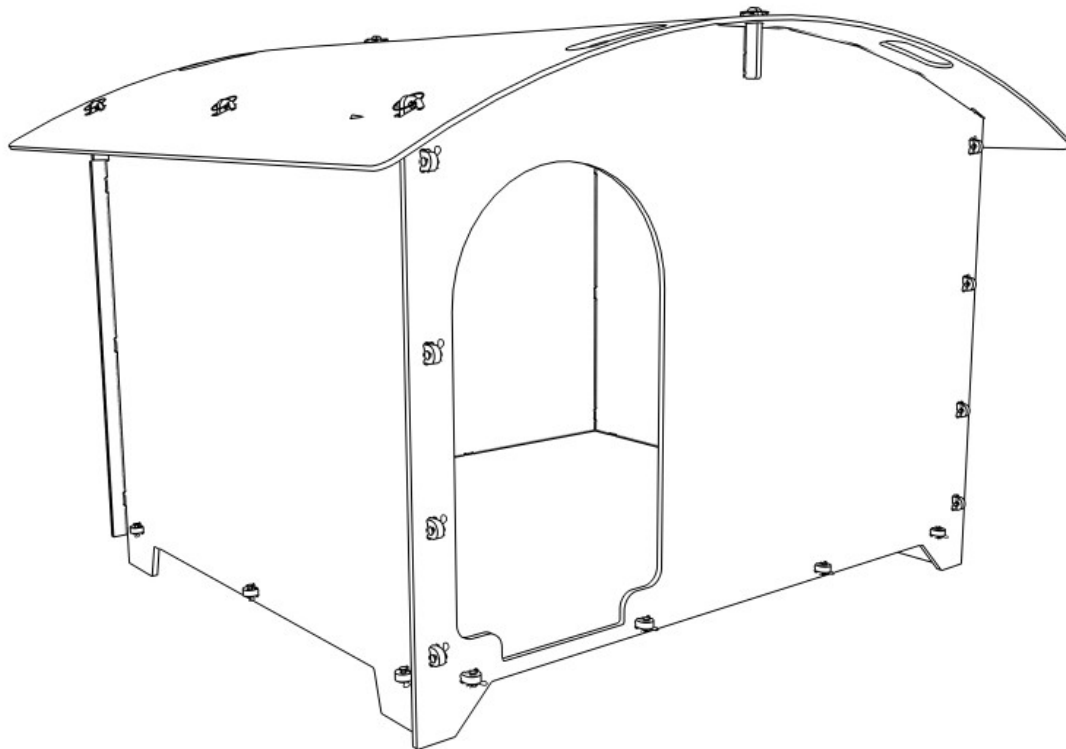




HOW TO ASSEMBLE, USE AND CARE FOR YOUR Dog Kennel (Large)



RECYCLED & RECYCLABLE

Products from green frog designs are made, wherever possible, from materials that are recycled. Where this is not practical, we always try to use materials that are suitable for recycling.

Our plastic is made from recycled waste plastic, predominantly plastic wrapping and carrier bags. By choosing our products, rather than those made from virgin plastic, you are helping to restrict the amount of new plastic being made. We recycle all our waste plastic and, of course, our products themselves can be recycled (if they ever wear out!!).

The recycled plastic we use is incredibly tough, but is as easily worked as wood. There is no need for preservative treatment with insecticides or fungicides, and structures won't splinter or crack, so they retain their structural integrity well. The plastic is resistant to UV light, so it retains its colour well, and is pretty much impervious to atmospheric pollutants and seasonal climatic actions such as freeze-thaw. It insulates quite well, and is also resistant to chewing. These properties mean that it retains its appearance, colour and functionality for much longer than timber.

The sheets of recycled plastic have a very uniform thickness, and so are ideally suited to our high-technology manufacturing process, which uses computer-controlled machines to cut shapes to accuracies better than 0.1mm.

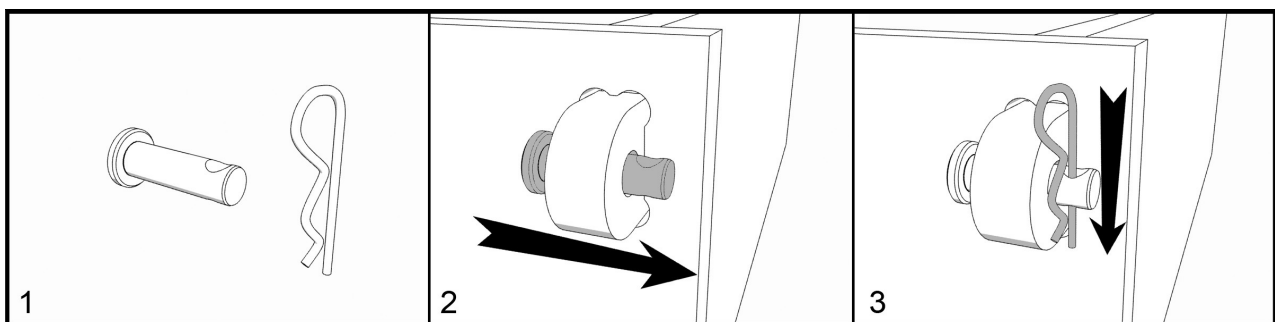
We also use some metal components to fix parts together. The metals used are either stainless steel or other rust-resistant alloy, so they have a very long lifetime. They are also suitable for recycling.

Our packaging and literature is all made from recycled materials wherever possible. For example, assembly instructions are printed on recycled paper, and we use recycled plastic bubble-wrap in our packaging. Even our business cards are made from 80% recycled card.

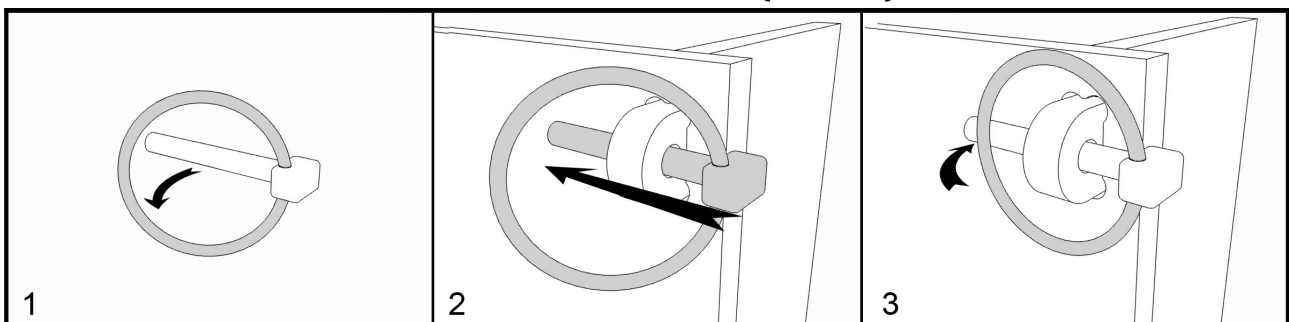
In other words: **Fun, functional products that don't cost the Earth!**



HOW TO FIT A CLEVIS PIN (IF USED)

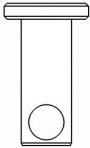
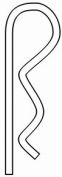
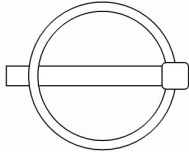
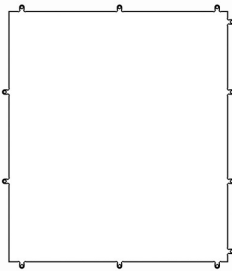
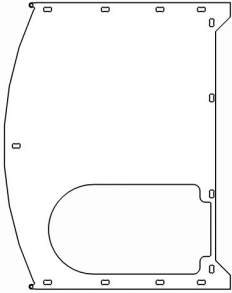
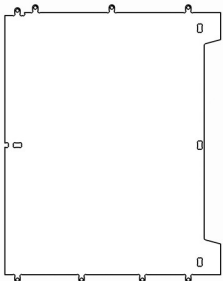
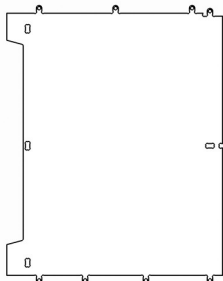
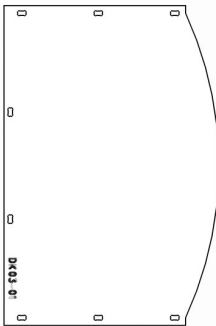

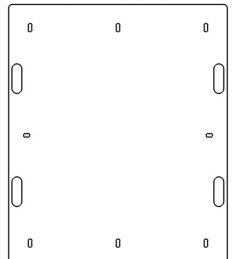
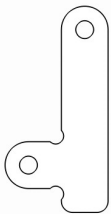



HOW TO FIT A LINCH PIN (IF USED)



You only need to move the ring slightly away from the bar. They are designed to spring closed, so watch your fingers!

PARTS (Not to scale)

									
24x	Medium Clevis Pin	24x	R-Clip	16x	Linch Pin	1x	Base	1x	Front Wall
									
1x	Right Side Wall	1x	Left Side Wall	1x	Rear Door	1x	Upper Rear Wall	1x	Roof
									
2x	Roof Clip	1x	Roof Support						

If any parts are missing, please email sales@greenfrogdesigns.co.uk
Please state the part number, quantity missing, your phone number and your full postal address.

DIMENSIONS

Dimensions: 115(w) x 80(h) x 100(d) cm

TOOLS REQUIRED

Sharp knife (e.g. Stanley Knife) or Sand Paper

PRE-ASSEMBLY CHECKS

Prior to assembly, check that you have all the required parts. Please be aware that, being a recycled material, some minor surface blemishes or defects may have occurred during manufacture. These will not affect the functionality of your product.

Trim any excess plastic using sand paper or a sharp knife. **[NOTE: Be careful to cut away from yourself.]**

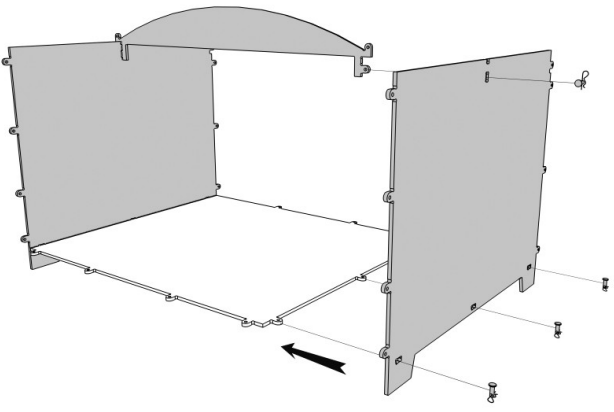
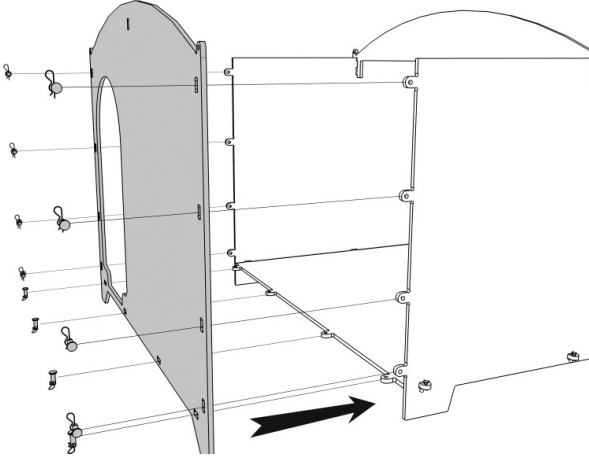
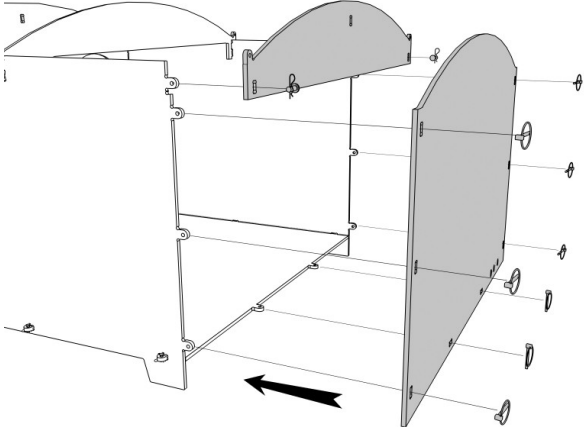
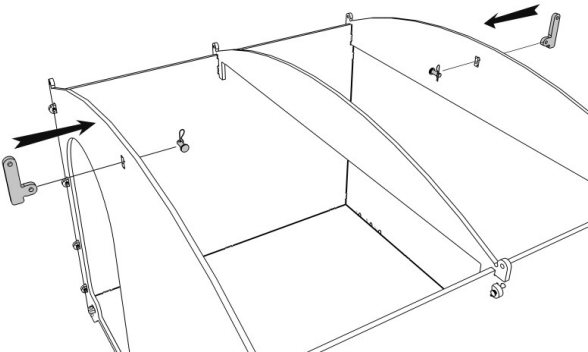
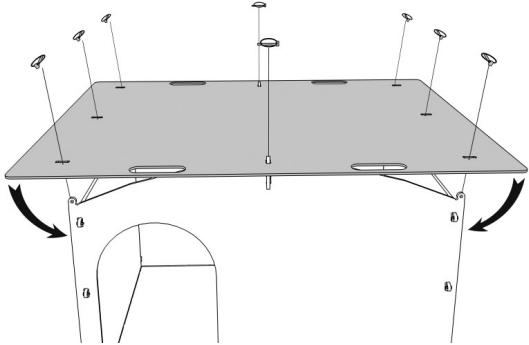
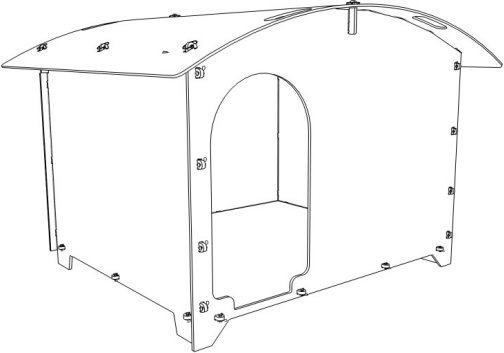
If any parts are missing, please email sales@greenfrogdesigns.co.uk

Please state the part number, quantity missing, your phone number and your full postal address.

SPARE PARTS

Spare parts are available to order online via our website: www.greenfrogdesigns.co.uk

HOW TO ASSEMBLE

	
<p>1 Fit the Left Side Wall and Right Side Wall (Patterned side outermost) to the Base. Ensure you fit the base the correct way round – The ends of the base will align exactly with the edges of the side walls. Then add the Roof Support, using Clevis Pins and Retaining Clips. Note – The base can be fitted either side up. Smooth for easier cleaning or patterned for more grip.</p>	<p>2 Fit the Front Wall using Clevis Pins and Retaining Clips.</p>
	
<p>3 Fit the Upper Rear Wall using Clevis Pins and Retaining Clips. Fit the Rear Door using Linch Pins.</p>	<p>4 Fit the two Roof Clips, front and back, using Clevis Pins and Retaining Clips.</p>
	
<p>5 Fit the Roof using Linch Pins. Fix the centre first, then bend it over the remaining lugs.</p>	<p>6 You're finished - Have a cup of tea!</p>

INSTRUCTIONS FOR USE

The entrance is offset in order to offer your dog more protection on a windy day. We recommend cutting a piece of veterinary fleece to size for your dog to lie on.

This dog kennel is designed to be moved by two people, using the handholds cut into the roof.

The rear door can be removed for inspection, and regular cleaning. For more thorough cleaning, the entire roof can be removed. It should require no maintenance, and can be easily cleaned using soapy water and a cloth. A pressure washer is ideal for removal of any caked on dirt, but an ordinary hosepipe and scrubbing brush will do just as well. It will dry quickly in the sun.