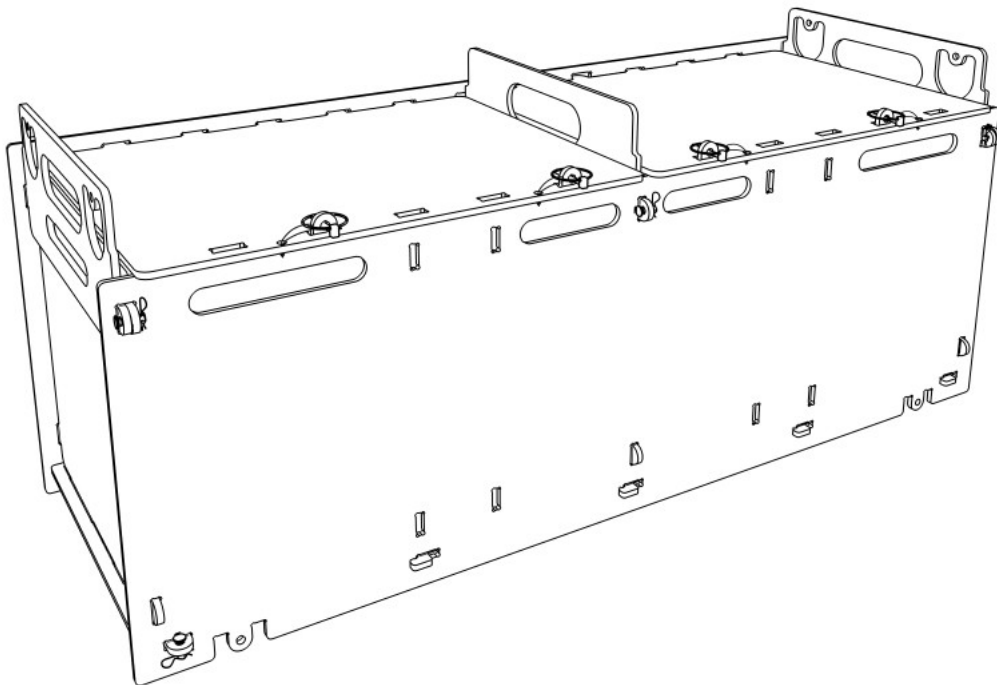




HOW TO ASSEMBLE, USE AND CARE FOR YOUR **Carry Box**



RECYCLED & RECYCLABLE

Products from green frog designs are made, wherever possible, from materials that are recycled. Where this is not practical, we always try to use materials that are suitable for recycling.

Our plastic is made from recycled waste plastic, predominantly plastic wrapping and carrier bags. By choosing our products, rather than those made from virgin plastic, you are helping to restrict the amount of new plastic being made. We recycle all our waste plastic and, of course, our products themselves can be recycled (if they ever wear out!!).

The recycled plastic we use is incredibly tough, but is as easily worked as wood. There is no need for preservative treatment with insecticides or fungicides, and structures won't splinter or crack, so they retain their structural integrity well. The plastic is resistant to UV light, so it retains its colour well, and is pretty much impervious to atmospheric pollutants and seasonal climatic actions such as freeze-thaw. It insulates quite well, and is also resistant to chewing. These properties mean that it retains its appearance, colour and functionality for much longer than timber.

The sheets of recycled plastic have a very uniform thickness, and so are ideally suited to our high-technology manufacturing process, which uses computer-controlled machines to cut shapes to accuracies better than 0.1mm.

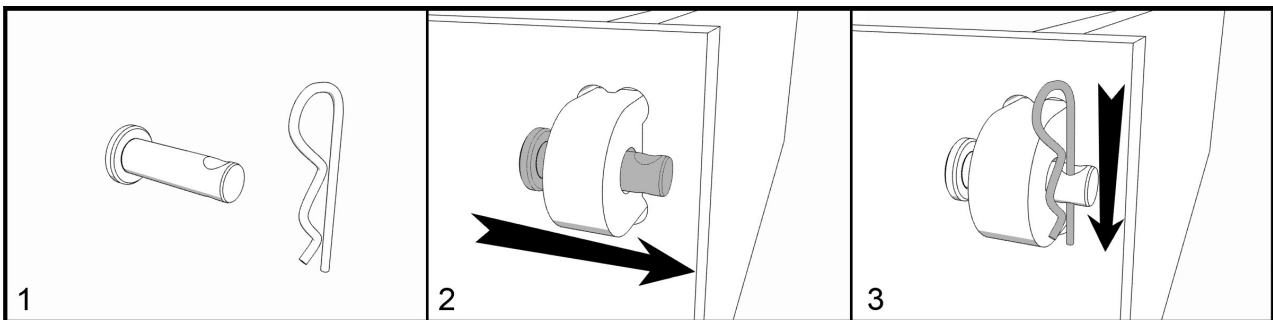
We also use some metal components to fix parts together. The metals used are either stainless steel or other rust-resistant alloy, so they have a very long lifetime. They are also suitable for recycling.

Our packaging and literature is all made from recycled materials wherever possible. For example, assembly instructions are printed on recycled paper, and we use recycled plastic bubble-wrap in our packaging. Even our business cards are made from 80% recycled card.

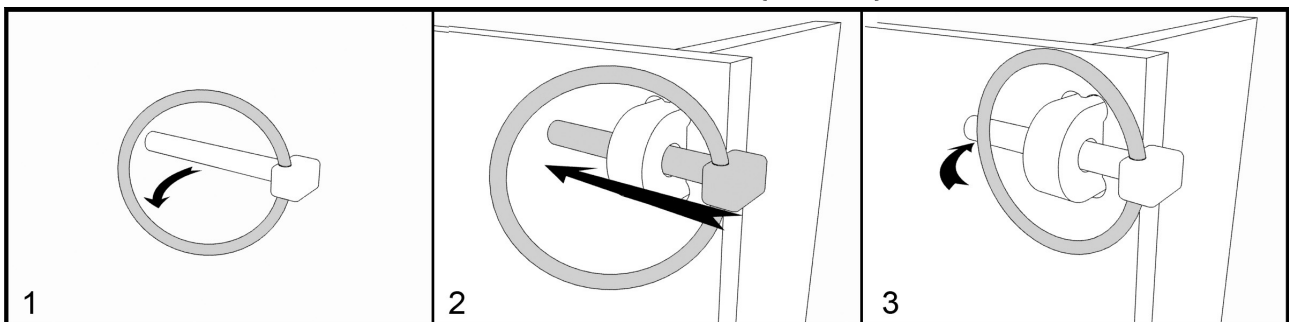
In other words: **Fun, functional products that don't cost the Earth!**



HOW TO FIT A CLEVIS PIN (IF USED)

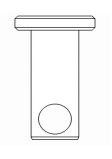
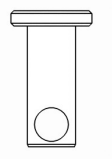

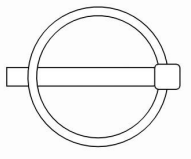
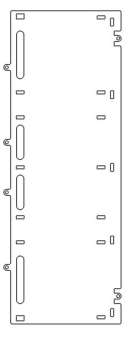
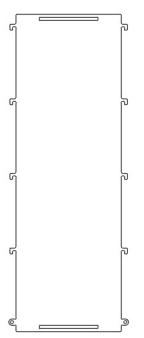
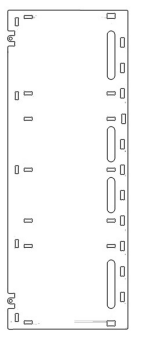
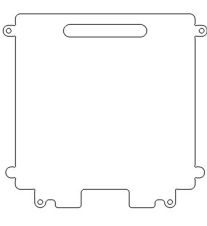
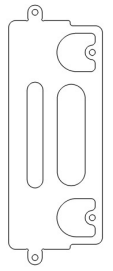
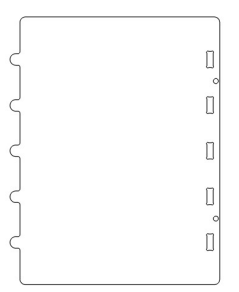
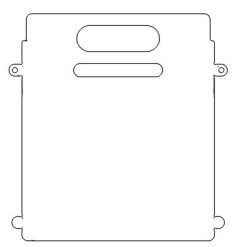
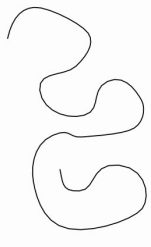
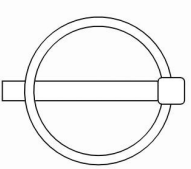
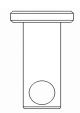




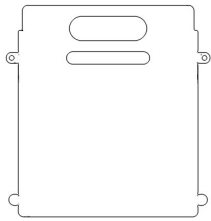
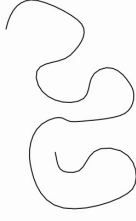
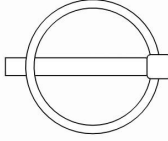
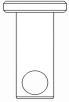

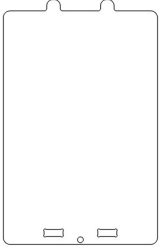
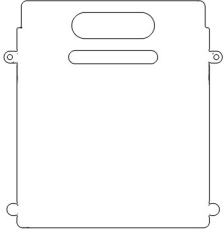
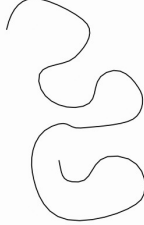
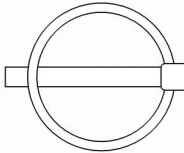
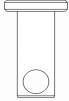

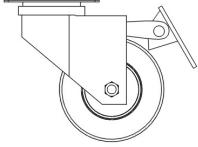

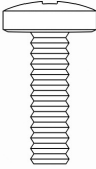
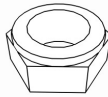



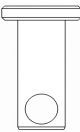
HOW TO FIT A LINCH PIN (IF USED)



You only need to move the ring slightly away from the bar. They are designed to spring closed, so watch your fingers!

PARTS (Not to scale)

									
2x	Short Clevis Pin	4x	Medium Clevis Pin	6x	R-Clip	2x	Linch Pin (For stacking Carry Boxes)	1x	Right Side Panel
									
1x	Base	1x	Left Side Panel	2x	Lower End Panel	2x	Upper End Panel		
2 Compartment Kit (Optional)									
									
2x	Lid Large	1x	Compartment Divider	1x	120cm Cord	4x	Linch Pin	2x	Short Clevis Pin
									
								2x	
								R-Clip	

3 Compartment Kit (Optional)									
									
3x	Lid Medium	2x	Compartment Divider	1x	120cm Cord	4x	Linch Pin	4x	Short Clevis Pin
									
3x	Lid Medium	2x	Compartment Divider	1x	120cm Cord	4x	Linch Pin	4x	R-Clip
4 Compartment Kit (Optional)									
									
4x	Lid Small	3x	Compartment Divider	1x	120cm Cord	4x	Linch Pin	6x	Short Clevis Pin
									
4x	Lid Small	3x	Compartment Divider	1x	120cm Cord	4x	Linch Pin	6x	R-Clip
Wheel Kit (Optional)									
									
2x	Swivel Castor	2x	Fixed Castor	16x	M6x20mm Screw	16x	Nylock Nut	32x	Standard Washer
									
2x	Wheel Plate	2x	R-Clip	2x	Short Clevis Pin				

DIMENSIONS

Overall: 39(h) x 94(l) x 34(w) cm (41h with wheels fitted)
Compartments: All 30(h) x 30(w) cm. Compartments 22(l), 29(l) or 44(l) cm.
Height when stacked 2 high (no wheels fitted): 76 cm
Height when stacked 2 high (wheels on lower Box only): 82 cm
Weight: 10kg (Excluding wheels)

TOOLS REQUIRED

Sharp knife (e.g. Stanley Knife) or Sand Paper
Large size cross head screwdriver
10mm ring spanner (or socket wrench or adjustable spanner)
Small flat-bladed screwdriver (optional)

PRE-ASSEMBLY CHECKS

Prior to assembly, check that you have all the required parts. Please be aware that, being a recycled material, some minor surface blemishes or defects may have occurred during manufacture. These will not affect the functionality of your product.

Trim any excess plastic using sand paper or a sharp knife. **[NOTE: Be careful to cut away from yourself.]**

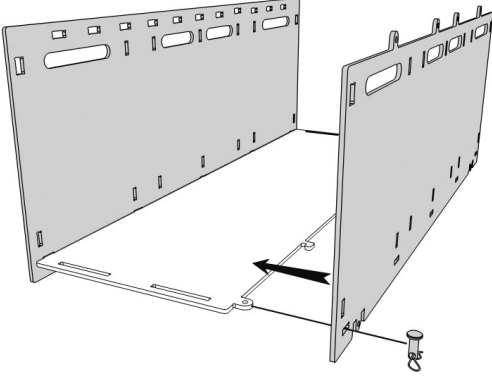
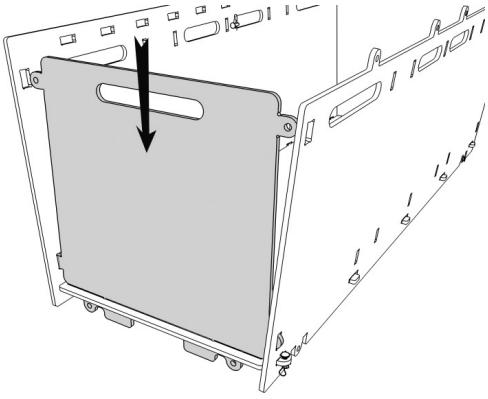
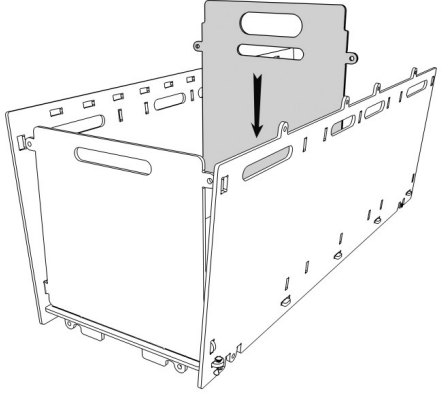
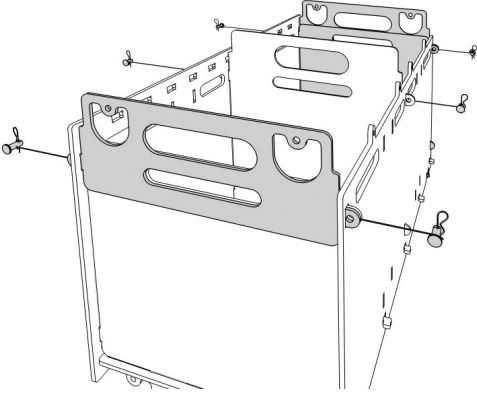
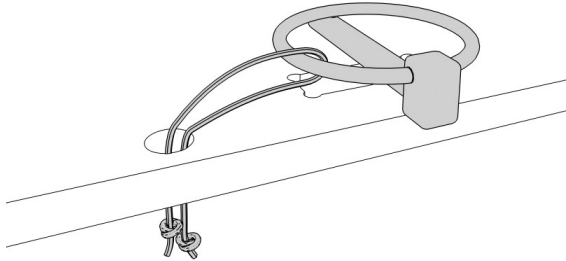
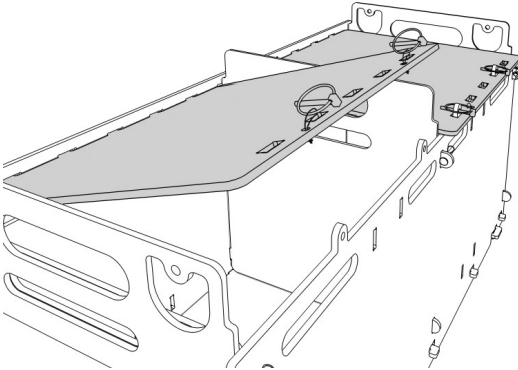
If any parts are missing, please email sales@greenfrogdesigns.co.uk

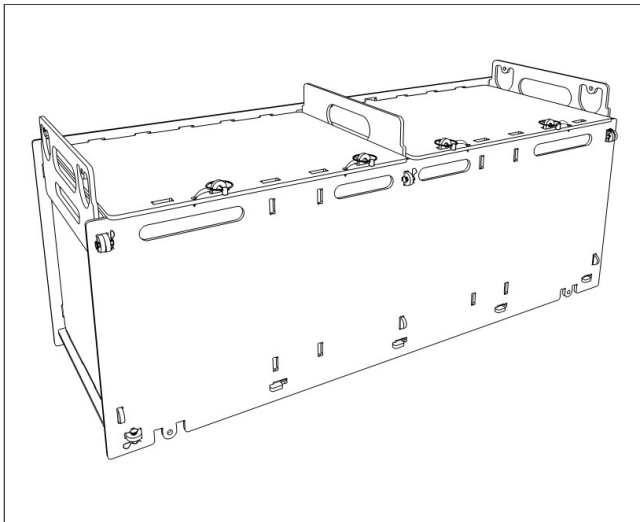
Please state the part number, quantity missing, your phone number and your full postal address.

SPARE PARTS AND ACCESSORIES

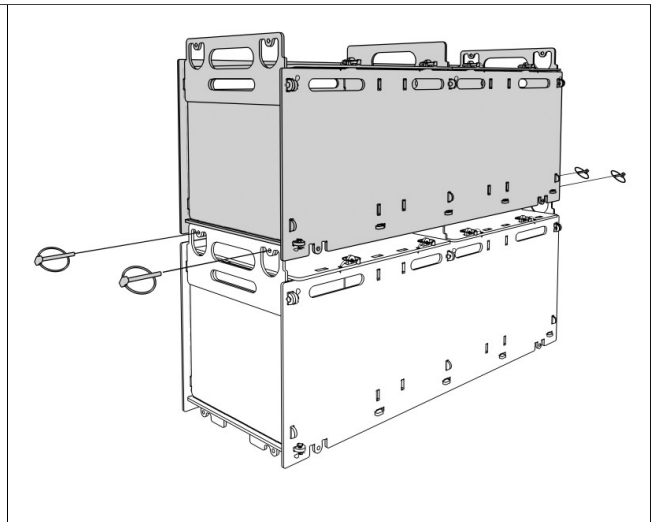
Spare parts and accessories are available to order online via our website: www.greenfrogdesigns.co.uk

HOW TO ASSEMBLE (Note: 2 Compartment Version Shown)

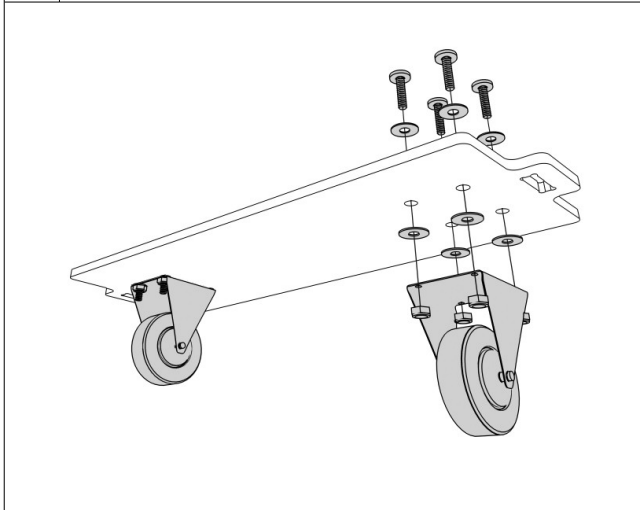
	
<p>1 With the patterned side of the base uppermost, attach one Side Panel by inserting the L-shaped lugs and sliding the Base sideways until the lug with the hole slips into place. Secure with a Short Clevis Pin and R-Clip. Repeat for the other side panel.</p>	<p>2 Attach one Lower End Panel by gently bending the Side Panels outwards and pushing the lower lugs into their slots, followed by the upper lugs. Do not use clips to fix in position yet.</p>
	
<p>3 Fit Compartment Dividers as in 2. Select the correct slots depending upon the compartment size required (you can use a Lid to confirm the position). Do not secure in position yet.</p>	<p>4 Fit the other Lower End Panel as in 2. Then fit both Upper End Panels (outside the Lower End Panels) and secure these with four Medium Clevis Pins and R-Clips. Finally, secure each Divider Panel with Small Clevis Pins and R-Clips.</p>
	
<p>5 Cut the Cord into 30cm lengths and use a flame to seal the ends to prevent fraying. Tie an overhand knot in one end, pass upwards through the hole(s) in the Lid, through a Linch Pin, back down through the same hole and tie another knot. Pull the Linch Pin to tighten the knots.</p>	<p>6 Lids fit into the slots on one side panel and should be secured using the Linch Pins.</p>



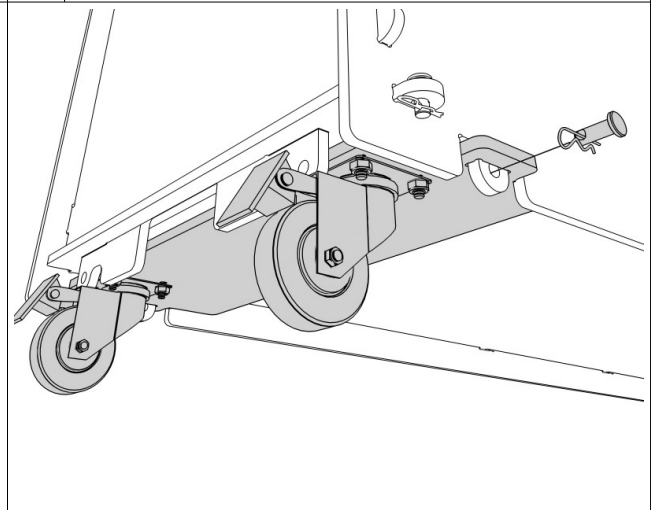
7 You're finished - Have a cup of tea!



8 **OPTIONAL STACKING**
 Carry Boxes can be stacked (we recommend no more than 3 high), and may be secured to one another using 4 supplied **R-Clips** (2 supplied with each Carry Box). **NOTE:** Upper Carry Boxes cannot have optional wheels attached when stacked.



8 **OPTIONAL WHEEL SET**
 Castors are bolted to the **Wheel Plates** using **20mm Screws, Standard Washers** and **Nylock Nuts**. Each **Wheel Plate** has holes suitable for either set of wheels. One pair must be **Fixed Castors**, the other must be **Swivel Castors**. The nuts **must** be on the bottom (i.e. the wheel side) with **washers** either side of the **Wheel Plates**.



9 **OPTIONAL WHEEL SET**
 Fix the **Wheel Plates** to the base using **Short Clevis Pins** and **R-Clips**. The **Wheel Plate** with the **Swivel Castors** should be fitted so that the wheels are nearest the end of the **Carry Box** (or the brake levers will be inaccessible).

INSTRUCTIONS FOR USE

Biosecurity is of critical importance and, being made from plastic, the Carry Box can be easily cleaned and disinfected, and it will dry out in minutes. A pressure washer is ideal for removal of caked on dirt, but an ordinary hosepipe and scrubbing brush will do. Boxes are stackable (up to 3 high) and each box must be clipped to the one below for safety. There are holes in the sides and ends to provide adequate cross flow ventilation. The Carry Box can be quickly and easily dismantled for storage or deep cleaning, if required.

ACCESSORIES

Additional compartment kits are available. With these additional dividing panels, compartment lids and fittings, it takes only a minute or two to convert between compartment sizes.

A wheel set is also available. Each pair of wheels is fitted to a platform that is attached using quick release catches. The rear set of wheels is fixed while the front set swivels and are braked. Brakes help them stay in place when movement is undesirable (e.g. in a car or when loading or unloading).